



PRECISE PROCESSING, OUTSTANDING SERVICE

| 卓越精工 | 自然出众 |

综合产品目录
Integrated Catalog

宁波杰克龙精工有限公司

地址: 中国·宁波·慈城城西西路1号
Address: No.1 Chengxi West Road Cicheng Ningbo China
销售热线(Sales hotline): +86-574-87597291
服务热线(Service hotline): +86-574-87597992
全国免费服务热线(The free service hotline): 800-9574-099
投诉专线(Complaint special line): +86-574-87574567
传真(Fax): +86-574-87574862-1318
邮编(P.C.): 315034
网址(Http): www.jklong.com
电子信箱(E-mail): sales@jklong.com

JKLONG-SI01-1-A2/Aug 2018

版权所有 禁止仿冒 All information are subject to changes without notice all copyright are reserved

JKLONG 杰克龙®
www.jklong.com



卓越精工, 自然出众!

品牌是社会的，也是企业的载体，
铸造品牌，即是贡献社会，传播品牌，
即是传播企业的形象。

目录

Content

公司简介 Company Profile	生产设备 Production Equipment	市场与销售 Market and Sale	水司系列 Water Company Series
			08-17
品牌价值 Brand Value	研发与创新 R&D and Innovations	品质管理 Quality Management	中央空调系列 Central Air-conditioning Series
			02-07

采暖产品系列 HVAC Series	锁式阀门系列 Lockable Valves Series	小五金系列 Hardware Series	给排水阀门系列 Water Supply&Drainage Valves Series	
36-47	53-57	61-62	67-69	
燃气阀门系列 Gas valves Series	PPR阀门系列 PPR Valves Series	法兰系列 Flanged Valves Series	水表系列 Water Meters Series	现有其它产品 Other Available Items
18-35	48-52	58-60	63-66	70-71



Company Profile 公司简介

宁波杰克龙精工有限公司始建于1998年8月，是中国500强企业—宁波金田铜业（集团）股份有限公司的全资子公司。公司致力于铜阀门的研发、制造、销售和服务，主要产品有铜阀门、铸钢、铸铁阀门、燃气阀、水暖卫浴、水表及各类管件等，产品广泛应用于给排水系统、燃气系统、城市供热、暖通空调及产品配套等领域。公司销售网络遍布全国32个省市自治区，销售网点近400家，在中国中低压民用铜阀门领域中名列前茅。

宁波金田铜业（集团）股份有限公司是中国最大的铜加工企业之一，2013年位列中国企业500强第327位。公司技术中心凭借自身完善的研发体制、雄厚的科技实力和丰硕的科研成果，被国家发改委认定为“国家级企业技术中心”；公司致力于环境保护和生态建设，被评为全国首批“城市矿产”示范基地。

宁波杰克龙精工有限公司先后通过了ISO9001、ISO14001和OHSAS18001三大管理体系认证，被评为“高新技术企业”。“杰克龙”商号被认定为浙江省知名商号，杰克龙品牌被评为“中国阀门知名品牌”。公司以金田集团定制铜棒作为原材料，保证了产品的品质。公司坚持科技兴企理念，专注于产品的研发与技术创新，拥有产品专利二十余项。公司拥有一支具有丰富行业经验的研发队伍，配备了行业领先的自动化生产设备和检测设备，采用先进的热锻红外线测温系统，引进CNC多轴精加工专机、三坐标仪、100%密封性能检测及阀门寿命测试设备，凭借一整套严格的产品管理体系和从原料到成品的全过程监控，有力保障了杰克龙产品的高品质，打造了杰克龙出众的品牌优势，赢得了广大用户的认可与信任。

公司坚持走循环经济与清洁生产和谐发展之路，秉承“品牌共创，成就共享，合作共赢，和谐共建”的发展理念，竭尽众智，创新经营，致力于让“杰克龙”成为业内第一品牌和世界著名品牌，用我们真诚的服务，开启您的美好生活。

Ningbo Jiekelong Precision Manufacturing Co.,Ltd. founded in August 1998, is the wholly-owned subsidiary company of Ningbo Jintian Copper (Group) Co., Ltd., of which is China Top 500 Enterprises. The company is dedicating in R&D, manufacture, sales and service of brass valves. Products are widely used in the fields of water supply and drainage system, gas system, urban heating, HVAC, ancillary products, etc., which mainly cover brass valve, cast steel&cast iron valve, gas valve, heating equipment and sanitary ware, water meter and various kinds of pipe fittings. Nearly 400 sales outlets throughout 32 provinces of the country contribute to our wide sales network with top reputation in the processing of low and medium civil brass valves in China.

Ningbo Jintian Copper (Group) Co., Ltd. ranking No. 327 among Top 500 Enterprises of China, but is the largest copper processing enterprise of China. With comprehensive R&D system, strong technology advantages and fruitful scientific research works, the enterprise technology center, is identified as "State-Level Enterprise Technology Center" by National Development and Reform Commission.

JKlong Precision is recognized as the High Technology Enterprises and "Zhejiang Province Well-known Firm" with certificate of three management system, ISO9001, ISO14001 and OHSAS18001. "JKLONG" brand has been identified as "Famous brand of Chinese Valves". Company values high quality by exclusively applying Jintian brass bar, adheres to the concept of science and technology enterprise, focuses on products R&D and technological innovation, all which bring us dozens of product patents. The company owns a rich industry experience R&D team, equipped with industry-leading automated production equipment and testing equipment. JKlong products are effectively ensured high quality since the company takes customized Jintian copper bar as the material, adopts advanced infrared temperature measuring system for hot-pressing forging technology, CNC multi-axes finishmachining special machine, tri-coordinates thickness gauge, 100% sealing performance test and valve's service life testing equipments, reckons on strict products management system as well as whole process monitoring from the material to the finished product, to create the brand advantages that JKlong holds, and win the acceptance and confidence of spacious users.

The company always insists on the principle of harmonious development with circular economy and new-type industrialization, keeps cleanness production, Create brand together, share achievement together, win from cooperation together, build harmonious together", we are willing to collect our wisdom to make the "JKLong" become the first brand even the world famous brand of this line with continuously offering fresher and better service. Service exists everywhere, details show sincerity. Our faithful service is the key to your better life.

研发与创新 R&D And Innovations

拥有一支具有丰富设计经验的研发队伍，采用先进的计算机辅助设计软件和三维造型软件，设计的产品结构合理，外形美观，重量适中，具有很强的市场竞争力。拥有先进的加工设备及生产工艺，全力开发新产品以满足市场的需要，并多次获得国家专利。

We have a R&D team with rich experience in product design, and apply the leading CAD and 3-D modeling software. The products designed by us have reasonable construction, beautiful appearance, moderate weight and very good competitiveness. We also own advanced production equipment and technologies, and make great efforts to develop new products to meet the market demands. Besides we are granted many national patents.

技术创新 科技兴业

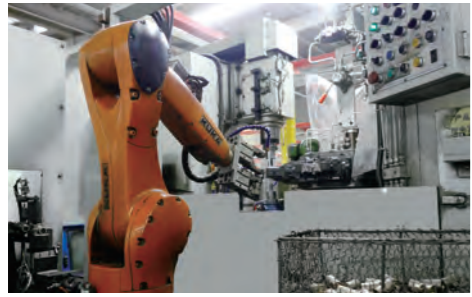


生产设备 Production Equipment

先进的生产设备，引进进口阀门专机，采用美标气压、水压测试，严格按照国际标准进行产品全检，尽显一流品质。技术专家全程监督生产，保证产品的始终高品质。产品广泛使用在石油、化工、污水处理、消防、建筑、自来水等行业中。

With leading production equipment and imported valve, we execute gas special plane & water pressure tests as per American standards. We carry out 100% product tests strictly according to international standards. In order to ensure first-class quality, our technical experts monitor the entire production process and guarantee high product quality all the time. Our products are widely applied in petroleum, chemical, wastewater treatment, fire protection, construction and drinkable water industries.





机械手 Automatic Robot



压力机 Press



台车式热风循环炉
Trolley-type Hot Air Circulating Furnace



闸阀专机
Machine For Gate Valve



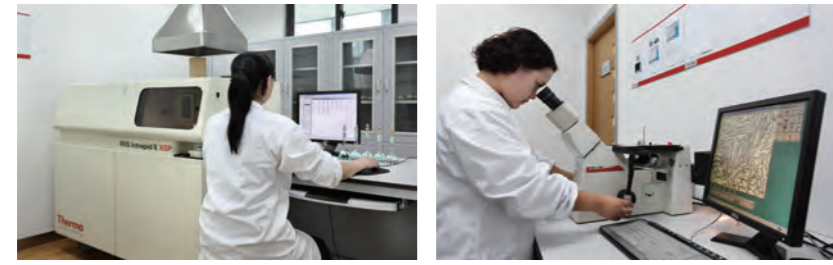
生产设备 Production Equipment



品质管理 Quality Management

拥有先进的检测设备，有一支经验丰富的品质管理团队。通过ISO9001认证，严格按照质量管理体系的要求执行。质量要求做到精益求精，产品100%检测，通过持续不断的改进来满足客户的需求。

The company has advanced inspection instruments and a quality management team with rich experience. It has been certified by ISO9001 quality management system, and all its products are inspected strictly according to quality requirements so as to continually improve its product quality to meet customer's requirements.

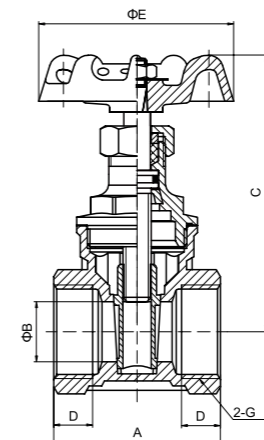


- 引进进口阀门专机28台/套
- 采用美标气压、水压测试
- 严格按照国际标准进行产品全检
- 企业通过ISO9001质量体系认证
- 企业通过ISO14001环境管理体系认证
- 企业通过OHSAS18001职业健康安全体系认证
- It introduces over 28 sets of the imported valve special-purpose machine tool
- It employs American standard air & water pressure testing
- It strictly implements the full product inspection according to the international standard
- Our business passes ISO9001 guarantee somatotype
- Our business passes ISO14001 manage somatotype
- Our business passed 18000 Occupational Health and Safety Assessment Series

严格控制 保证品质
Strict Control | Guarantee Quality



中央空调系列 CENTRAL AIR-CONDITIONING SERIES



9105 黄铜闸阀 Brass Gate Valve (Z15W-16T)

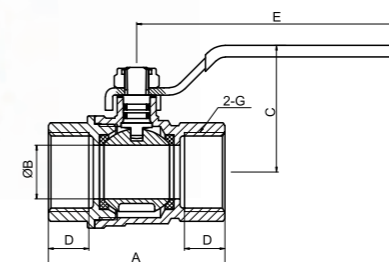
技术规范

公称压力: 1.6 MPa
工作介质: 水、非腐蚀性液体、饱和蒸汽($\leq 0.6\text{MPa}$)
工作温度: $-20^{\circ}\text{C} \leq t \leq 150^{\circ}\text{C}$
圆柱管螺纹符合ISO228标准

Technical Standard

Nominal Pressure: 1.6 MPa
Working Medium: Water, Non-causticity liquid, Saturated steam($\leq 0.6\text{MPa}$)
Working Temperature: $-20^{\circ}\text{C} \leq t \leq 150^{\circ}\text{C}$
Parallel Pipe Thread to ISO228

DN	A	B	C	D	E	G
15	43.5	13	72.5	10.5	54	1/2
20	47	17	78	11	54	3/4
25	52	21	91.5	13	60	1
32	57	27	105	13.5	72	1 1/4
40	60	34	117	14	72	1 1/2
50	69	45	143	16	80	2



9266 黄铜球阀 Brass Ball Valve (Q11F-16T)

技术规范

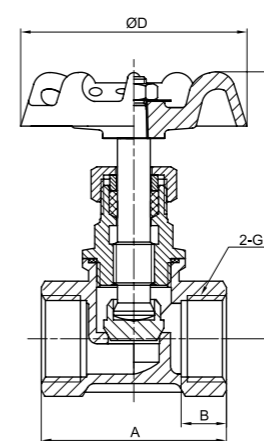
公称压力: 1.6 MPa
工作介质: 水、非腐蚀性液体
工作温度: $-10^{\circ}\text{C} \leq t \leq 100^{\circ}\text{C}$
圆柱管螺纹符合ISO228标准

Technical Standard

Nominal Pressure: 1.6 MPa
Working Medium: Water, Non-causticity liquid
Working Temperature: $-10^{\circ}\text{C} \leq t \leq 100^{\circ}\text{C}$
Parallel Pipe Thread to ISO228

DN	A	B	C	D	E	G
15	52	13	39.1	12.5	90	1/2
20	59	18	42.4	13.5	90	3/4
25	71	24	55.3	14.5	110	1
32	81	30	60.8	15.5	140.2	1 1/4
40	93.2	37	66.7	16.5	140.2	1 1/2
50	111	49.5	78.2	18.5	155.3	2

311 黄铜截止阀 Brass Stop Valve (J11W-16T)



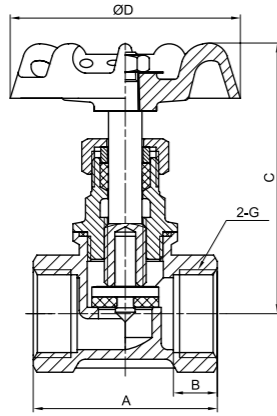
技术规范

公称压力: 1.6 MPa
工作介质: 水、非腐蚀性液体、饱和蒸汽($\leq 0.6\text{MPa}$)
工作温度: $-20^{\circ}\text{C} \leq t \leq 150^{\circ}\text{C}$
圆柱管螺纹符合ISO228标准

Technical Standard

Nominal Pressure: 1.6 MPa
Working Medium: Water, Non-causticity Liquid, Saturated steam($\leq 0.6\text{MPa}$)
Working Temperature: $-20^{\circ}\text{C} \leq t \leq 150^{\circ}\text{C}$
Parallel Pipe Thread to ISO228

DN	Size	A	B	C	D	G
15	1/2	45	11	65-68.5	54	1/2
20	3/4	51	11	71-76	60	3/4
25	1	64.5	15	82-90	72	1
32	1 1/4	75	16	95.4-106.5	80	1 1/4
40	1 1/2	82	17	109-121	100	1 1/2
50	2	100	19	122.5-136	110	2

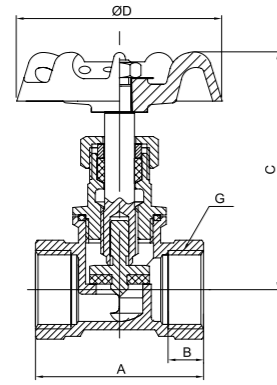


312 黄铜截止阀
Brass Stop Valve (J11F-16T)

技术规范
公称压力: 1.6 MPa
工作介质: 水、非腐蚀性液体、饱和蒸汽($\leq 0.6\text{MPa}$)
工作温度: $-20^{\circ}\text{C} \leq t \leq 120^{\circ}\text{C}$
圆柱管螺纹符合ISO228标准

Technical Standard
Nominal Pressure: 1.6 MPa
Working Medium: Water, Non-causticity Liquid Saturated steam($\leq 0.6\text{MPa}$)
Working Temperature: $-20^{\circ}\text{C} \leq t \leq 120^{\circ}\text{C}$
Parallel Pipe Thread to ISO228

DN	Size	A	B	C	D	G
15	1/2	45	11	65-71	54	1/2
20	3/4	50	11	70.5-78	60	3/4
25	1	64.5	15	82-91	72	1
32	1 1/4	75	16	95-106	80	1 1/4
40	1 1/2	82	17	109-121	100	1 1/2
50	2	100	19	122.5-136	110	2

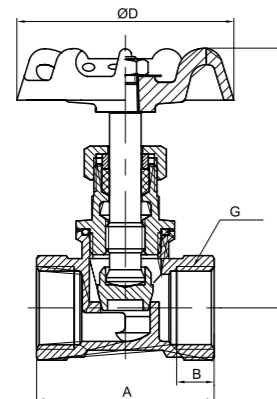


317 黄铜截止阀 (软密封)
Brass Stop Valve (J11F-16T)

技术规范
公称压力: 1.6 MPa
工作介质: 水、非腐蚀性液体、饱和蒸汽($\leq 0.6\text{MPa}$)
工作温度: $-20^{\circ}\text{C} \leq t \leq 120^{\circ}\text{C}$
圆柱管螺纹符合ISO228标准

Technical Standard
Nominal Pressure: 1.6 MPa
Working Medium: Water, Non-causticity Liquid Saturated steam($\leq 0.6\text{MPa}$)
Working Temperature: $-20^{\circ}\text{C} \leq t \leq 120^{\circ}\text{C}$
Parallel Pipe Thread to ISO228

DN	A	B	C	D	G
15	45	9.5	65-70	54	1/2
20	50	10	70.5-78	60	3/4
25	64	13.5	77.5-85	72	1
32	74	15	94-103	80	1 1/4
40	80	15	100-110	80	1 1/2
50	100	19	118-130	100	2

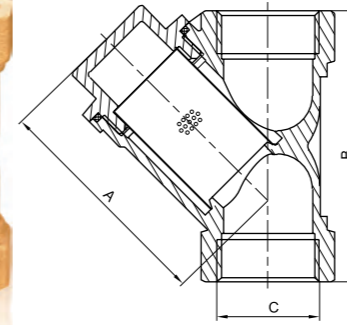


318 黄铜截止阀 (硬密封)
Brass Stop Valve (J11W-16T)

技术规范
公称压力: 1.6 MPa
工作介质: 水、非腐蚀性液体、饱和蒸汽($\leq 0.6\text{MPa}$)
工作温度: $-20^{\circ}\text{C} \leq t \leq 120^{\circ}\text{C}$
圆柱管螺纹符合ISO228标准

Technical Standard
Nominal Pressure: 1.6 MPa
Working Medium: Water, Non-causticity Liquid Saturated steam($\leq 0.6\text{MPa}$)
Working Temperature: $-20^{\circ}\text{C} \leq t \leq 120^{\circ}\text{C}$
Parallel Pipe Thread to ISO228

DN	A	B	C	D	G
15	45	9.5	65-70	54	1/2
20	50	10	70.5-78	60	3/4
25	64	13.5	77.5-85	72	1
32	74	15	94-103	80	1 1/4
40	80	15	100-110	80	1 1/2
50	100	19	118-130	100	2

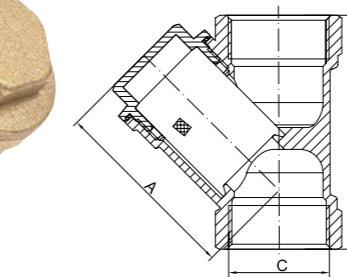


606 黄铜过滤器
Brass Strainer (SY11-16T)

技术规范
公称压力: 1.6 MPa
工作介质: 水
工作温度: $0^{\circ}\text{C} \leq t \leq 150^{\circ}\text{C}$
圆柱管螺纹符合ISO228标准

Technical Standard
Nominal Pressure: 1.6 MPa
Working Medium: Water
Working Temperature: $0^{\circ}\text{C} \leq t \leq 150^{\circ}\text{C}$
Parallel Pipe Thread to ISO228

DN	Size	A	B	C	过滤网目数
15	1/2	48	55.5	1/2	24X24
20	3/4	59	70	3/4	24X24
25	1	69	82	1	24X24
32	1 1/4	81	90	1 1/4	12X9
40	1 1/2	88	101	1 1/2	12X9
50	2	107	123.5	2	12X9
65	2 1/2	149.4	172	2 1/2	12X9

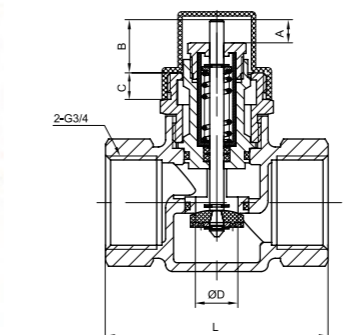


607 黄铜过滤器
Brass Strainer (SY11-16T)

技术规范
公称压力: 1.6 MPa
工作介质: 水
工作温度: $0^{\circ}\text{C} \leq t \leq 150^{\circ}\text{C}$
圆柱管螺纹符合ISO228标准

Technical Standard
Nominal Pressure: 1.6 MPa
Working Medium: Water
Working Temperature: $0^{\circ}\text{C} \leq t \leq 150^{\circ}\text{C}$
Parallel Pipe Thread to ISO228

DN	Size	A	B	C	过滤网目数
15	1/2	44.5	55	1/2	24X24
20	3/4	51.4	62	3/4	24X24
25	1	61.3	75	1	24X24
32	1 1/4	72.5	88	1 1/4	12X9
40	1 1/2	80.5	100	1 1/2	12X9
50	2	100.5	120	2	12X9

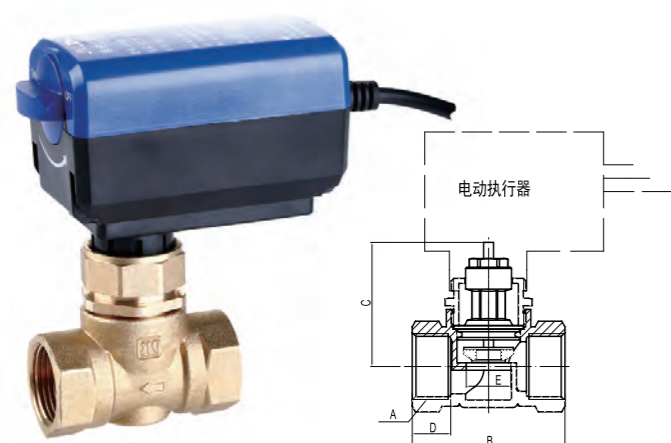


768 电动阀
Motorized Valve (J911X-16T)

技术规范
公称压力: 2.0 MPa
工作介质: 水
密封压差: DN20: 0.25MPa
DN25: 0.1MPa
圆柱管螺纹符合ISO228标准

Technical Standard
Nominal Pressure: 2.0 MPa
Working Medium: Water
Sealing Pressure Difference: DN20: 0.25MPa
DN25: 0.1MPa
Working Temperature: $1^{\circ}\text{C} \leq t \leq 95^{\circ}\text{C}$
Parallel Pipe Thread to ISO228

DN	Size	A	B	C	D	I	G
20	3/4	7	15	7.5	12	63	3/4
25	1	7	15	7.5	16.5	73	1



768X 电动阀
Motorized Valve (J911X-16T)

技术规范	Technical Standard
公称压力: 1.6MPa	Nominal Pressure: 1.6 MPa
工作介质: 水、非腐蚀性液体	Working Medium: Water, Non-causticity Liquid
强度试验压力: 2.4MPa	Pressure of strength testing: 2.4MPa
工作温度: -10℃≤T≤100℃	Working Temperature: -10℃≤T≤100℃

DN	A	B	C	D	E
20	G3/4	61.5	50	15.5	18
25	G1	70	53	17	22



620

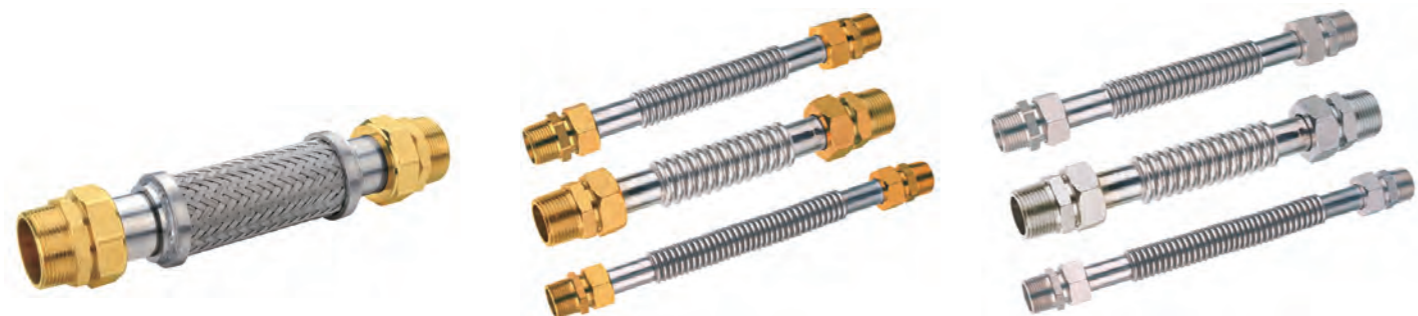
622

620/622 电动球阀
Motorized Ball Valve

- 特点**
- 球阀电机采用由双向同步电机驱动，顺、逆时针旋转90°，可有效防止球阀被管道污物卡阻；
 - 球阀采用全通径设计，减少产品压损，保证管道流量及压力
 - 驱动器之平面设计可以贴近墙面安装，占用空间小。产品可靠耐用，工作噪音低

技术参数

规格	通径	联接螺纹	工作介质	流体温度	环境温度	公称压力	电气规格
DN20	15	G3/4"	冷冻水/热水	0-94℃	0-40℃	2.5 MPa	24V
DN25	20	G1"					110V
DN32	25	G1 1/4"					220V
							50/60HZ



667 不锈钢波纹管 (加强型)
Stainless Steel Waving Hose (Strengthen)

669 不锈钢半波波纹管
Stainless Semi-Wave Hose

669A 不锈钢半波波纹管
Stainless Semi-Wave Hose



668

不锈钢全波波纹管
Stainless Full-Wave Hose



668A

不锈钢全波波纹管
Stainless Full-Wave Hose



261

黄铜过滤球阀
Brass Filter Ball Valve (Q11F-16T)



768

电动两通阀
Motorized Valve



642

按键式温控器
Touch-Tone Thermostat



642A

按键式温控器
Touch-Tone Thermostat



642B

触屏式温控器
Air-conditioning Thermostat With Touch Screen



642C

触屏式温控器
Air-conditioning Thermostat With Touch Screen



644

机械式温控器
Mechanical Air-conditioning Thermostat



645

按键式温控器
Touch-Tone Thermostat



645A

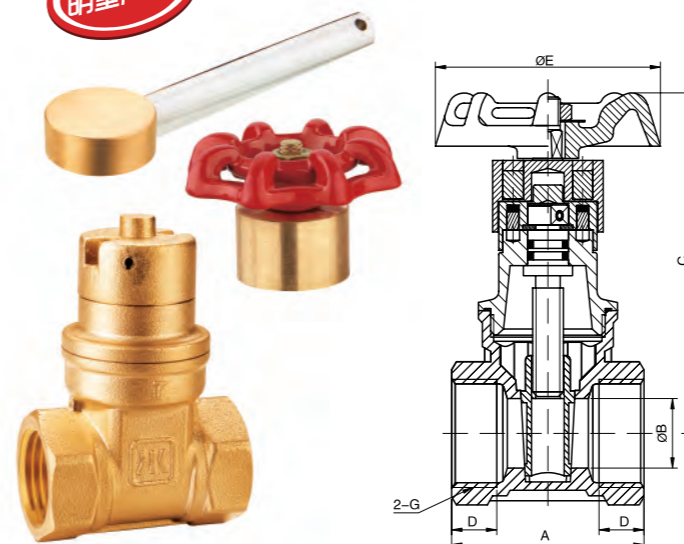
按键式温控器
Touch-Tone Thermostat



646

触屏式温控器
Air-conditioning Thermostat With Touch Screen

水司系列 WATER COMPANY SERIES



9119 黄铜磁性锁式闸阀 Brass Magnetic Lockable Gate Valve (Z15W-16T)

技术规范	Technical Standard
公称压力: 1.6 MPa	Nominal Pressure: 1.6 MPa
工作介质: 水、非腐蚀性液体、饱和蒸汽(≤0.6MPa)	Working Medium: Water, Non-causticity liquid, Saturated steam(≤0.6MPa)
工作温度: -10℃≤t≤110℃	Working Temperature: -10℃≤t≤110℃
圆柱管螺纹符合ISO228标准	Parallel Pipe Thread to ISO228

手轮

DN	A	B	C	D	E	G
15	43.5	13	75.5	10.5	54	1/2
20	47	17	83.2	11	54	3/4
25	52	21	90.2	13	54	1

长手柄锁

DN	A	B	C	D	G
32	57	27	77.5	13.5	1 1/4
40	60	34	90.3	14	1 1/2
50	67	45	108.8	15	2



606 黄铜过滤器 Brass Strainer (SY11-16T)

技术规范	Technical Standard
公称压力: 1.6 MPa	Nominal Pressure: 1.6 MPa
工作介质: 水	Working Medium: Water
工作温度: 0℃≤t≤150℃	Working Temperature: 0℃≤t≤150℃
圆柱管螺纹符合ISO228标准	Parallel Pipe Thread to ISO228

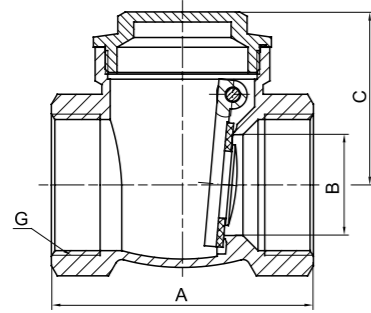
DN	Size	A	B	C	过滤网目数
15	1/2	48	55.5	1/2	24X24
20	3/4	59	70	3/4	24X24
25	1	69	82	1	24X24
32	1 1/4	81	90	1 1/4	12X9
40	1 1/2	88	101	1 1/2	12X9
50	2	107	123.5	2	12X9
65	2 1/2	149.4	172	2 1/2	12X9



408 黄铜止回阀 (硬密封) Brass Check Valve (H14W-16T)

技术规范	Technical Standard
公称压力: 1.6 MPa	Nominal Pressure: 1.6 MPa
工作介质: 水、非腐蚀性液体	Working Medium: Water, Non-causticity Liquid
工作温度: ≤100℃	Working Temperature: ≤100℃
圆柱管螺纹符合ISO228标准	Parallel Pipe Thread to ISO228

DN	Size	A	B	C	G
15	1/2	48	13	29.5	1/2
20	3/4	57	17	35.5	3/4
25	1	68	23	42	1
32	1 1/4	74	28	48.5	1 1/4
40	1 1/2	82	33	53	1 1/2
50	2	92.5	44	59	2
65	2 1/2	130	63	85.5	2 1/2
80	3	147	75	95.5	3
100	4	180	93	116.5	4



404 黄铜止回阀 (软密封)
Brass Check Valve (H14X-16T)

技术规范

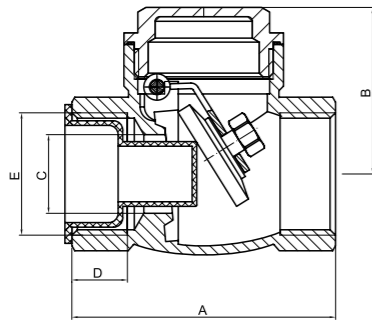
公称压力: 1.6 MPa
工作介质: 水、非腐蚀性液体
工作温度: $\leq 100^{\circ}\text{C}$
圆柱管螺纹符合ISO228标准

Technical Standard

Nominal Pressure: 1.6 MPa
Working Medium: Water, Non-causticity Liquid
Working Temperature: $\leq 100^{\circ}\text{C}$
Parallel Pipe Thread to ISO228

DN	Size	A	B	C	G
15	1/2	48	13	34	1/2
20	3/4	59	17	40.5	3/4
25	1	68	23	46	1
32	1 1/4	78	30	51.5	1 1/4
40	1 1/2	88	35	57.5	1 1/2
50	2	105	45	68.5	2
65	2 1/2	130	63	85.5	2 1/2
80	3	147	75	95.5	3
100	4	180	93	116.5	4

明星产品



9406 黄铜止回阀 (硬密封)
Brass Check Valve (H14W-16T)

技术规范

公称压力: 1.6 MPa
工作介质: 水、非腐蚀性液体
工作温度: $-10^{\circ}\text{C} \leq t \leq 100^{\circ}\text{C}$
强度压力试验: 2.4MPa

Technical Standard

Nominal Pressure: 1.6 MPa
Working Medium: Water, Non-causticity Liquid
Working Temperature: $-10^{\circ}\text{C} \leq t \leq 100^{\circ}\text{C}$
Hydraulic Pressure Test: 2.4MPa

DN	A	B	C	D	E
15	47	31.5	$\Phi 13$	11	1/2
20	57	36.5	$\Phi 17$	12	3/4
25	68	43	$\Phi 23$	13.5	1
32	75	52	$\Phi 29$	14	1 1/4
40	86	57.5	$\Phi 35$	16	1 1/2
50	106	68	$\Phi 45$	17	2

9407 黄铜止回阀 (软密封)
Brass Check Valve (H14X-16T)

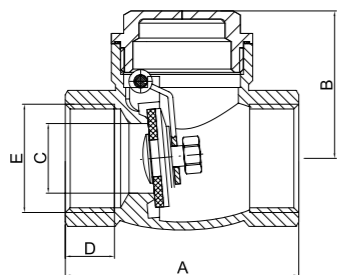
技术规范

公称压力: 1.6 MPa
工作介质: 水、非腐蚀性液体
工作温度: $-10^{\circ}\text{C} \leq t \leq 100^{\circ}\text{C}$
强度压力试验: 2.4MPa

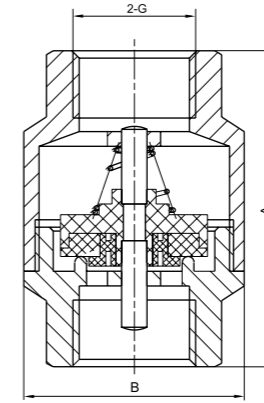
Technical Standard

Nominal Pressure: 1.6 MPa
Working Medium: Water, Non-causticity Liquid
Working Temperature: $-10^{\circ}\text{C} \leq t \leq 100^{\circ}\text{C}$
Hydraulic Pressure Test: 2.4MPa

DN	A	B	C	D	E
15	47	31.5	$\Phi 13$	11	1/2
20	57	36.5	$\Phi 17$	12	3/4
25	68	43	$\Phi 23$	13.5	1
32	75	52	$\Phi 29$	14	1 1/4
40	86	57.5	$\Phi 35$	16	1 1/2
50	106	68	$\Phi 45$	17	2



明星产品



405 黄铜立式止回阀
Brass Vertical Check Valve (H12X-10T)

技术规范

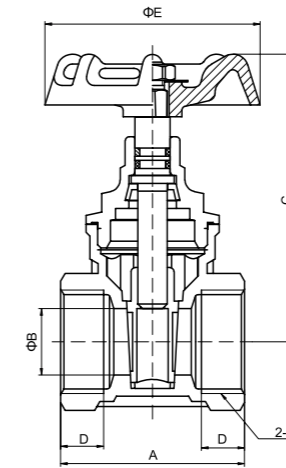
公称压力: 1.0 MPa
工作介质: 水、非腐蚀性液体、饱和蒸汽($\leq 0.6\text{MPa}$)
工作温度: $-20^{\circ}\text{C} \leq t \leq 80^{\circ}\text{C}$
圆柱管螺纹符合ISO228标准

Technical Standard

Nominal Pressure: 1.0 MPa
Working Medium: Water, Non-causticity Liquid Saturated steam($\leq 0.6\text{MPa}$)
Working Temperature: $-20^{\circ}\text{C} \leq t \leq 80^{\circ}\text{C}$
Parallel Pipe Thread to ISO228

DN	Size	A	B	G
10	3/8	43	30	3/8
15	1/2	49.5	35	1/2
20	3/4	53.5	41	3/4
25	1	60	49	1
32	1 1/4	70	58	1 1/4
40	1 1/2	77.5	67.5	1 1/2
50	2	84.5	83	2

明星产品



169 黄铜闸阀
Brass Gate Valve (Z15W-16T)

技术规范

公称压力: 1.6 MPa
工作介质: 水、非腐蚀性液体
工作温度: $-20^{\circ}\text{C} \leq t \leq 110^{\circ}\text{C}$
圆柱管螺纹符合ISO228标准

Technical Standard

Nominal Pressure: 1.6 MPa
Working Medium: Water, Non-causticity liquid
Working Temperature: $-20^{\circ}\text{C} \leq t \leq 110^{\circ}\text{C}$
Parallel Pipe Thread to ISO228

DN	A	B	C	D	E	G
15	43.5	13	68.4	10.5	54	1/2
20	47	17	73.5	11	54	3/4
25	52	21	83	13	60	1
32	57	27	98	13.5	72	1 1/4
40	60	34	111	14	72	1 1/2
50	69	45	132	15	80	2

167 黄铜闸阀
Brass Gate Valve (Z15W-16T)

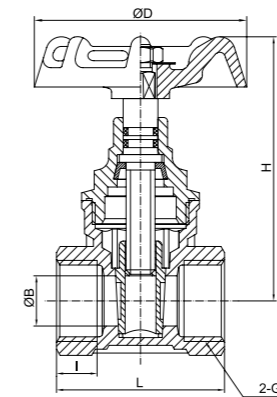
技术规范

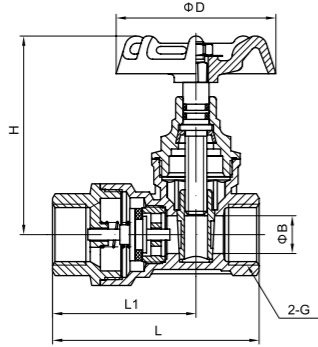
公称压力: 1.6 MPa
工作介质: 水、非腐蚀性液体
工作温度: $-20^{\circ}\text{C} \leq t \leq 100^{\circ}\text{C}$
圆柱管螺纹符合ISO228标准

Technical Standard

Nominal Pressure: 1.6 MPa
Working Medium: Water, Non-causticity Liquid
Working Temperature: $-20^{\circ}\text{C} \leq t \leq 100^{\circ}\text{C}$
圆柱管螺纹符合ISO228标准

DN	D	H	B	L	I	G
15	54	61.3	10	43	10	1/2
20	54	70	15	44.5	10.5	3/4
25	60	79.3	20	49	12	1
32	72	92.5	25	55	13.5	1 1/4
40	72	106	32	57	13.5	1 1/2
50	80	120	39	65	14.5	2

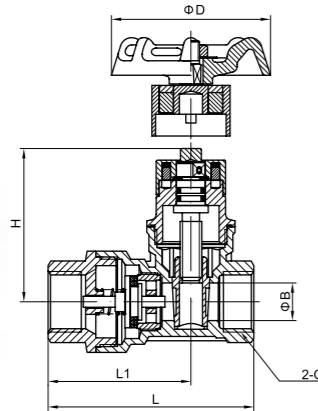




9169 黄铜止回闸阀
Brass Lockable Gate Valve With Non-Return Function (Z15W-16T)

技术规范 **Technical Standard**
公称压力: 1.6 MPa Nominal Pressure: 1.6 MPa
工作介质: 水 Working Medium: Water
工作温度: 0°C ≤ t ≤ 90°C Working Temperature: 0°C ≤ t ≤ 90°C
圆柱管螺纹符合ISO228-1标准 Parallel Pipe Thread to ISO228-1

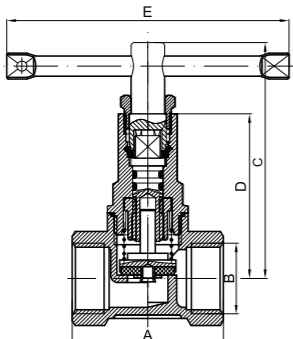
DN	L	L1	B	G	D	H
15	71	49.5	13	G1/2	54	68.5
20	79.7	56.2	17	G3/4	54	73.5



9168 黄铜磁性锁止回闸阀
Brass Lockable Gate Valve (Z15W-16T)

技术规范 **Technical Standard**
公称压力: 1.6 MPa Nominal Pressure: 1.6 MPa
工作介质: 水 Working Medium: Water
工作温度: 0°C ≤ t ≤ 90°C Working Temperature: 0°C ≤ t ≤ 90°C
圆柱管螺纹符合ISO228-1标准 Parallel Pipe Thread to ISO228-1

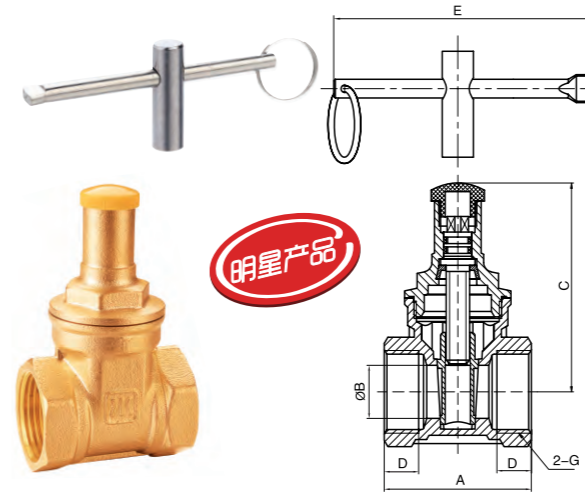
DN	L	L1	B	G	D	H
15	71	49.5	13	G1/2	54	53
20	79.7	56.2	17	G3/4	54	60.7



316 黄铜锁式止回截止阀
Brass Stop Valve (J11W-16T)

技术规范 **Technical Standard**
公称压力: 1.6 MPa Nominal Pressure: 1.6 MPa
工作介质: 水、非腐蚀性液体 Working Medium: Water, Non-causticity Liquid
工作温度: -20°C ≤ t ≤ 120°C Working Temperature: -20°C ≤ t ≤ 120°C
圆柱管螺纹符合ISO228标准 Parallel Pipe Thread to ISO228

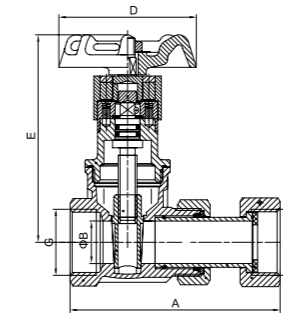
DN	Size	A	B	C	D	E
15	1/2	45	2-G1/2	70	49	84
20	3/4	51	2-G3/4	89.5	51	84
25	1	64.5	2-G1	108.3	79.3	160
32	1 1/4	75	2-G1 1/4	119.8	90.8	160
40	1 1/2	82	2-G1 1/2	135	72	160
50	2	100	2-G2	110	77	160



9118 黄铜锁式闸阀
Brass Lockable Gate Valve (Z15W-16T)

技术规范 **Technical Standard**
公称压力: 1.6 MPa Nominal Pressure: 1.6 MPa
工作介质: 水、非腐蚀性液体 Working Medium: Water, Non-causticity liquid
工作温度: -10°C ≤ t ≤ 110°C Working Temperature: -10°C ≤ t ≤ 110°C
圆柱管螺纹符合ISO228标准 Parallel Pipe Thread to ISO228

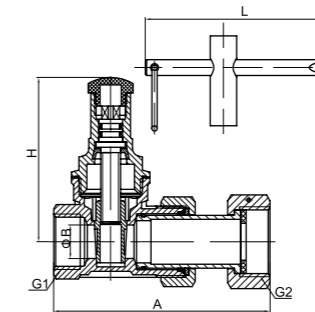
DN	A	B	C	D	E	G
15	43.5	13	62.3	10.5	75	1/2
20	47	17	66.8	11	75	3/4
25	52	21	75	13	75	1
32	57	27	87	13.5	75	1 1/4
40	60	34	98	14	120	1 1/2
50	67	45	115.6	15	120	2



114 黄铜表前磁性闸阀
Brass Magnetic Gate Valve Before Water Meter (Z15W-16T)

技术规范 **Technical Standard**
公称压力: 1.6 MPa Nominal Pressure: 1.6 MPa
工作介质: 水、非腐蚀性液体 Working Medium: Water, Non-causticity liquid
适用温度: ≤ 80°C Working Temperature: ≤ 80°C
圆柱管螺纹符合ISO228-1: 2000标准 Parallel Pipe Thread to ISO228-1:2000

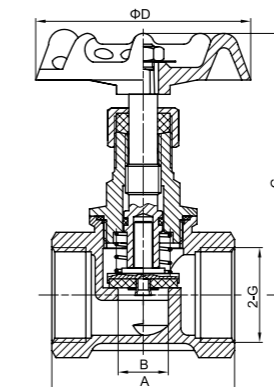
DN	A	B	C	D	E	G
15X20	96.5-108.5	13	G3/4	54	75.5	G1/2
20X20	84-96	17.5	G3/4	54	83	G3/4
20X25	84.5-96.5	17.5	G1	54	83	G3/4
25X25	102-115.5	21	G1	54	90	G1



189 黄铜锁式伸缩闸阀
Brass Lockable Gate Valve With Expansion Joint (Z15W-16T)

技术规范 **Technical Standard**
公称压力: 1.6 MPa Nominal Pressure: 1.6 MPa
工作介质: 水、非腐蚀性液体 Working Medium: Water, Non-causticity liquid
适用温度: -10°C ≤ t ≤ 100°C Working Temperature: -10°C ≤ t ≤ 100°C
圆柱管螺纹符合ISO228-1 Parallel Pipe Thread to ISO228-1

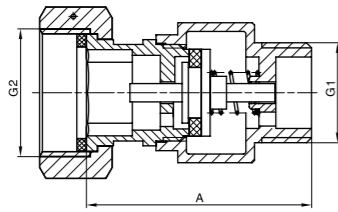
DN	L	A	B	G1	G2	H
15x20	75	82-94	12.7	G1/2	G3/4	62
20x20	75	84-96	17.5	G3/4	G3/4	67
20x25	75	84.5-96.5	17.5	G3/4	G1	67



385 黄铜止回截止阀
Brass Check Stop Valve (J12W-16T)

技术规范 **Technical Standard**
公称压力: 1.6 MPa Nominal Pressure: 1.6 MPa
工作介质: 水、非腐蚀性液体 Working Medium: Water, Non-causticity Liquid
工作温度: -20°C ≤ t ≤ 120°C Working Temperature: -20°C ≤ t ≤ 120°C
圆柱管螺纹符合ISO228标准 Parallel Pipe Thread to ISO228

DN	Size	A	B	C	D	G
15	1/2	45	12	66-72	54	1/2
20	3/4	51	16	73-79	60	3/4
25	1	64.5	22	82-90	72	1
32	1 1/4	75	26	95-104	80	1 1/4
40	1 1/2	82	32	112-125	80	1 1/2
50	2	100	41	124.5-137.5	100	2

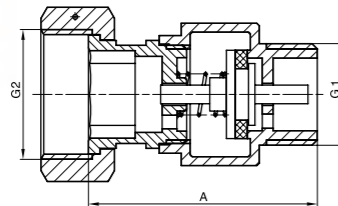


406 黄铜表后控制阀
Brass Control Valve (H32X-16T)

技术规范
公称压力: 1.6 MPa
工作介质: 水
工作温度: 0°C ≤ t ≤ 90°C
圆柱管螺纹符合ISO228标准

Technical Standard
Nominal Pressure: 1.6 MPa
Working Medium: Water
Working Temperature: 0°C ≤ t ≤ 90°C
Parallel Pipe Thread to ISO228

DN	A	G1	G2
15	46.6	1/2	3/4
20	52	3/4	1
25	55.5	1	1 1/4

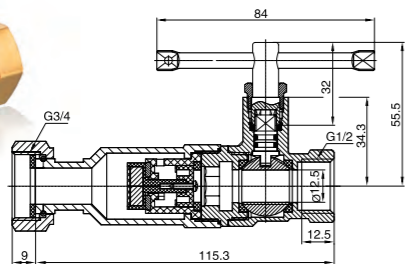


403 黄铜表前控制阀
Brass Control Valve (H32X-16T)

技术规范
公称压力: 1.6 MPa
工作介质: 水
工作温度: 0°C ≤ t ≤ 90°C
圆柱管螺纹符合ISO228标准

Technical Standard
Nominal Pressure: 1.6 MPa
Working Medium: Water
Working Temperature: 0°C ≤ t ≤ 90°C
Parallel Pipe Thread to ISO228

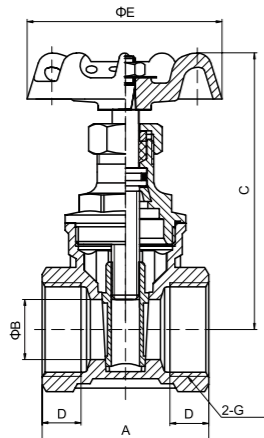
DN	A	G1	G2
15	46.6	1/2	3/4
20	52	3/4	1



278 黄铜表前锁式止回阀
Brass Lockable Check Valve Before Water Meter (Q11F-16T)

技术规范
公称压力: 1.6 MPa
工作介质: 水
工作温度: t ≤ 80°C
圆柱管螺纹符合ISO228标准

Technical Standard
Nominal Pressure: 1.6 MPa
Working Medium: Water
Working Temperature: t ≤ 80°C
Parallel Pipe Thread to ISO228

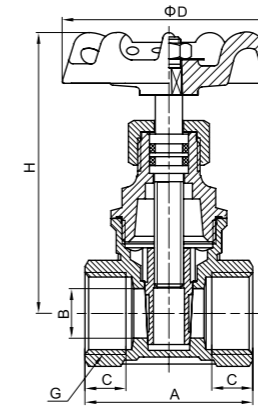


9105 黄铜闸阀
Brass Gate Valve (Z15W-16T)

技术规范
公称压力: 1.6 MPa
工作介质: 水、非腐蚀性液体、饱和蒸汽(≤0.6MPa)
工作温度: -20°C ≤ t ≤ 150°C
圆柱管螺纹符合ISO228标准

Technical Standard
Nominal Pressure: 1.6 MPa
Working Medium: Water, Non-causticity liquid, Saturated steam(≤0.6MPa)
Working Temperature: -20°C ≤ t ≤ 150°C
Parallel Pipe Thread to ISO228

DN	A	B	C	D	E	G
15	43.5	13	72.5	10.5	54	1/2
20	47	17	78	11	54	3/4
25	52	21	91.5	13	60	1
32	57	27	105	13.5	72	1 1/4
40	60	34	117	14	72	1 1/2
50	69	45	143	16	80	2

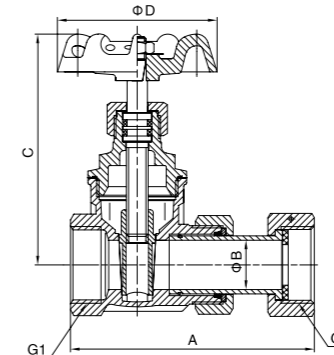


121 黄铜抽杆式闸阀
Brass Pumped Leveraged Gate Valve (Z15W-16T)

技术规范
公称压力: 1.6 MPa
工作介质: 水、非腐蚀性液体
工作温度: -10°C ≤ t ≤ 110°C
圆柱管螺纹符合ISO228标准

Technical Standard
Nominal Pressure: 1.6 MPa
Working Medium: Water, Non-causticity liquid
Working Temperature: -10°C ≤ t ≤ 110°C
Parallel Pipe Thread to ISO228

DN	A	B	C	D	H	G
15	43	12.7	10.5	54	72	1/2
20	46	16	11	54	78	3/4
25	49	20	12	60	84	1
32	52	26	12.5	68	100	1 1/4
40	56.5	32	13	72	108	1 1/2
50	64	43	14.5	80	132	2
80	83	63.5	19	110	180	3
100	101.5	84	25	126	218	4

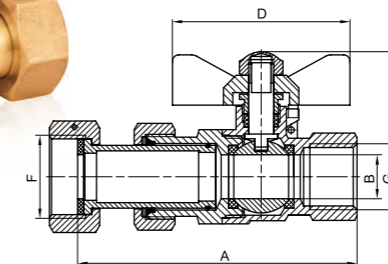


109 黄铜水表闸阀
Brass Water Meter Gate Valve (Z15W-16T)

技术规范
公称压力: 1.6 MPa
工作介质: 水、非腐蚀性液体
工作温度: -10°C ≤ t ≤ 110°C
圆柱管螺纹符合ISO228标准

Technical Standard
Nominal Pressure: 1.6 MPa
Working Medium: Water, Non-causticity liquid
Working Temperature: -10°C ≤ t ≤ 110°C
Parallel Pipe Thread to ISO228

DN	A	B	C	D	G1	G2
20	84-96	17	79	54	3/4	3/4
20	84.5-96.5	17	77	54	3/4	1



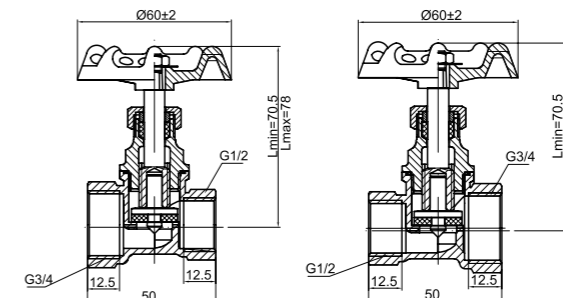
229 黄铜水表球阀
Brass Water Meter Ball Valve (Q11F-16T)

技术规范
公称压力: 1.6 MPa
工作介质: 水、非腐蚀性液体
工作温度: -10°C ≤ t ≤ 100°C
圆柱管螺纹符合ISO228标准

Technical Standard
Nominal Pressure: 1.6 MPa
Working Medium: Water, Non-causticity liquid
Working Temperature: -10°C ≤ t ≤ 100°C
Parallel Pipe Thread to ISO228

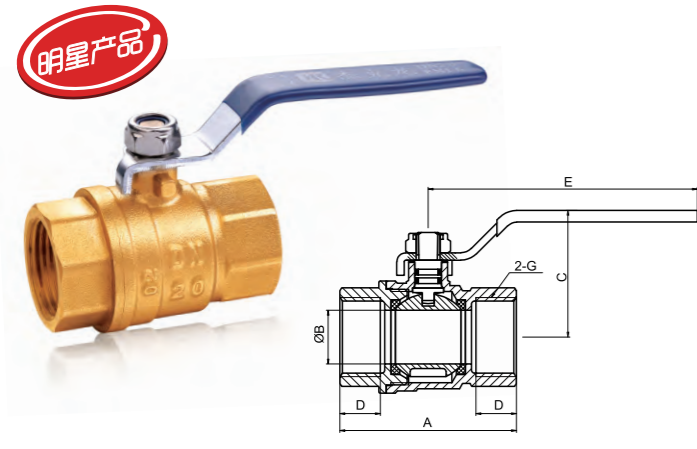
DN	Size	A	B	C	D	F	G
15	1/2	89-103	14	41	56.5	3/4	1/2
20	3/4	94-106	15	42.9	56.5	1	3/4

315 黄铜异径截止阀
Brass Reduced Stop Valve (J11F-16T)



技术规范
公称压力: 1.6 MPa
工作介质: 水、非腐蚀性液体
工作温度: -20°C ≤ t ≤ 120°C
圆柱管螺纹符合ISO228标准

Technical Standard
Nominal Pressure: 1.6 MPa
Working Medium: Water, Non-causticity liquid
Working Temperature: -20°C ≤ t ≤ 120°C
Parallel Pipe Thread to ISO228

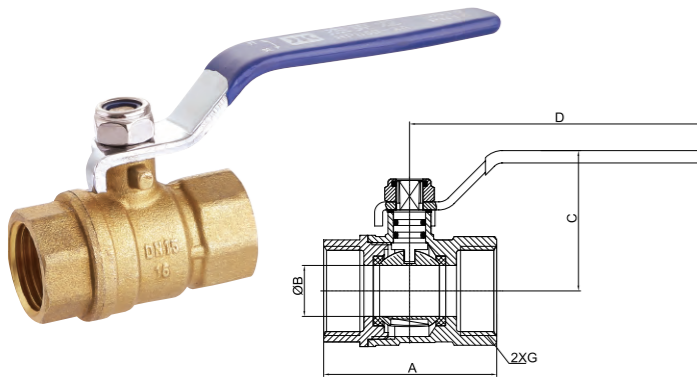


9266 黄铜球阀
Brass Ball Valve (Q11F-16T)

技术规范
公称压力: 1.6 MPa
工作介质: 水、非腐蚀性液体
工作温度: -10°C ≤ t ≤ 100°C
圆柱管螺纹符合ISO228标准

Technical Standard
Nominal Pressure: 1.6 MPa
Working Medium: Water, Non-causticity liquid
Working Temperature: -10°C ≤ t ≤ 100°C
Parallel Pipe Thread to ISO228

DN	A	B	C	D	E	G
15	52	13	39.1	12.5	90	1/2
20	59	18	42.4	13.5	90	3/4
25	71	24	55.3	14.5	110	1
32	81	30	60.8	15.5	140.2	1 1/4
40	93.2	37	66.7	16.5	140.2	1 1/2
50	111	49.5	78.2	18.5	155.3	2

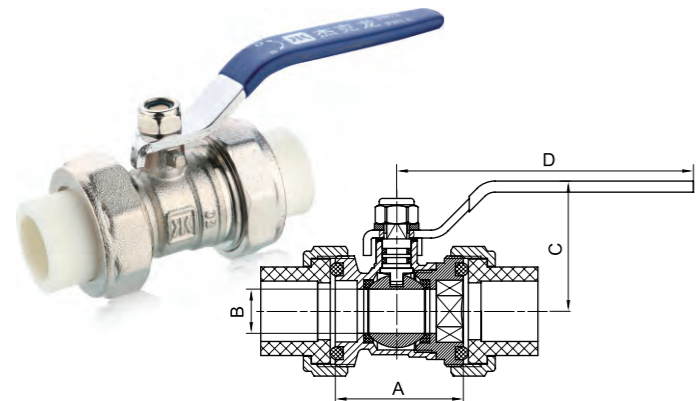


9267 黄铜球阀
Brass Ball Valve (Q11F-16T)

技术规范
公称压力: 1.6 MPa
工作介质: 水、非腐蚀性液体
工作温度: -10°C ≤ t ≤ 100°C
圆柱管螺纹符合ISO228标准

Technical Standard
Nominal Pressure: 1.6 MPa
Working Medium: Water, Non-causticity liquid
Working Temperature: -10°C ≤ t ≤ 100°C
Parallel Pipe Thread to ISO228

DN	Size	A	B	C	D	G
15	1/2	50.5	12.5	38.7	90	1/2
20	3/4	54	15	40.3	90	3/4
25	1	64.5	19	52.3	110	1
32	1 1/4	74	24	56.5	140	1 1/4
40	1 1/2	84	30	61	140	1 1/2
50	2	100	37	69.7	155	2



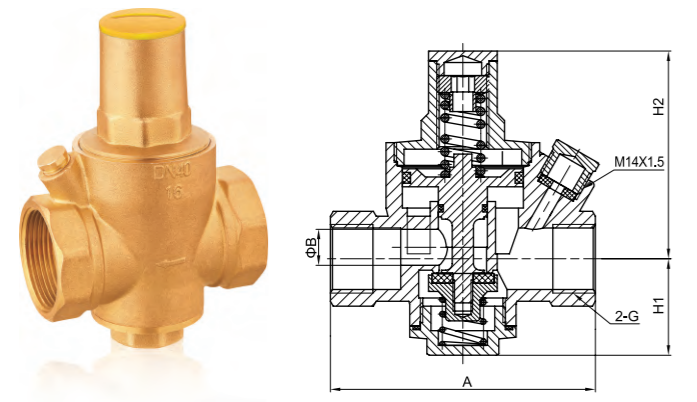
209 黄铜PPR球阀
Brass PPR Ball Valve (Q11F-16T)

技术规范
公称压力: 1.6 MPa
工作介质: 水、非腐蚀性液体
工作温度: -10°C ≤ t ≤ 120°C

Technical Standard
Nominal Pressure: 1.6 MPa
Working Medium: Water, Non-causticity liquid
Working Temperature: -10°C ≤ t ≤ 120°C

备注: 接头材质可选择PPR、PB、PERT

DN	Size	A	B	C	D
15	1/2	40.5	14	41.7	97.5
20	3/4	47	19	44.9	97.5
25	1	53	23.5	55.5	110
32	1 1/4	62	30	61	140
40	1 1/2	75.6	37	66	140
50	2	88	46.5	75	155

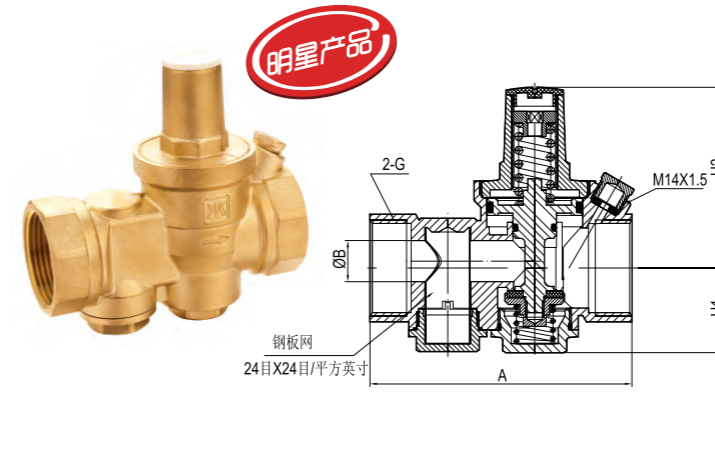


707 黄铜活塞式减压阀
Brass Piston Valve (Y13X-16T)

技术规范
公称压力: 1.6 MPa
工作介质: 水
工作温度: 0°C ≤ t ≤ 80°C
出口压力: 0.1MPa-0.55MPa
圆柱管螺纹符合ISO228标准

Technical Standard
Nominal Pressure: 1.6 MPa
Working Medium: Water
Working Temperature: 0°C ≤ t ≤ 80°C
Export Pressure: 0.1MPa-0.55MPa
Parallel Pipe Thread to ISO228

DN	Size	A	B	H1	H2	G
15	1/2	78	11	29.5	64	1/2
20	3/4	78.5	11	30	63.5	3/4
25	1	85	15	35.5	77	1
32	1 1/4	85	18	37	79	1 1/4
40	1 1/2	103	22.5	47.5	105	1 1/2
50	2	120	28.5	54.5	126.5	2

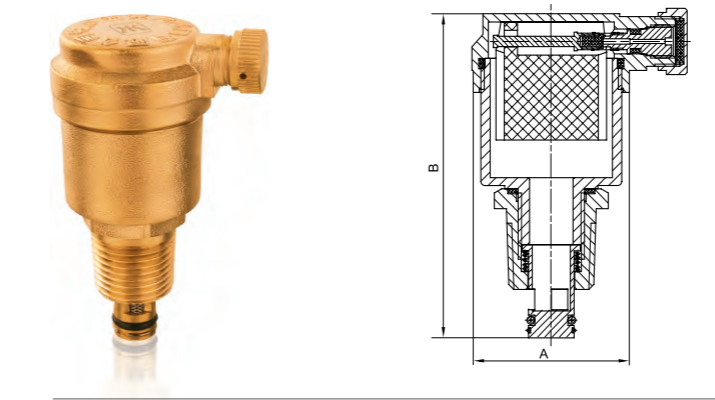


727 黄铜带过滤器减压阀
Brass Reducing Valve With Filter (Y13X-16T)

技术规范
公称压力: 1.6 MPa
工作介质: 水
工作温度: 0°C ≤ t ≤ 80°C
出口压力: 0.1MPa-0.55MPa
圆柱管螺纹符合ISO228标准

Technical Standard
Nominal Pressure: 1.6 MPa
Working Medium: Water
Working Temperature: 0°C ≤ t ≤ 80°C
Export Pressure: 0.1MPa-0.55MPa
Parallel Pipe Thread to ISO228

DN	Size	A	B	H1	H2	G
15	1/2	98.5	11	29.5	65	1/2
20	3/4	99	11	30	64.5	3/4
25	1	110.5	15	35.5	77	1
32	1 1/4	114.5	18	37	79	1 1/4
40	1 1/2	139	22.5	47.5	105	1 1/2
50	2	162	28.5	54.5	126.5	2

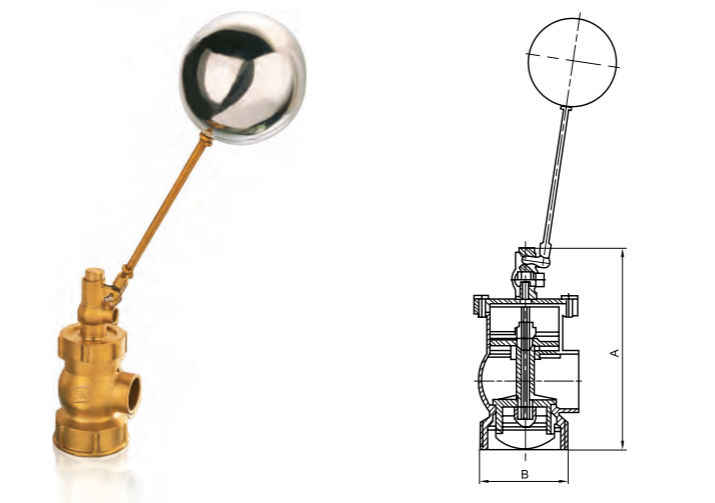


705 黄铜排气阀
Brass Exhausting Valve (P25X-16T)

技术规范
公称压力: 1.6 MPa
工作介质: 水
工作温度: 0°C ≤ t ≤ 120°C
管螺纹符合ISO7标准

Technical Standard
Nominal Pressure: 1.6 MPa
Working Medium: Water
Working Temperature: 0°C ≤ t ≤ 120°C
Taper Pipe Thread to ISO7

DN	A	B
15	38.5	78.5
20	38	77.5
25	38	77.5

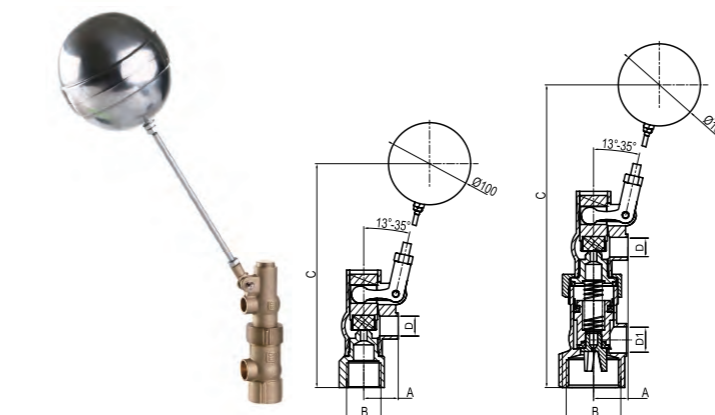


901 浮球阀
Floating Ball Actuated Valve (KXL-6T-A)

技术规范
公称压力: 0.04 MPa ≤ P ≤ 0.6 MPa
工作介质: 水
工作温度: 0°C ≤ t ≤ 80°C
联接方式: 管螺纹

Technical Standard
Nominal Pressure: 0.04 MPa ≤ P ≤ 0.6 MPa
Working Medium: Water
Working Temperature: 0°C ≤ t ≤ 80°C
Connecting From: Pipe Thread

DN	Size	A	B
15	1/2	80	50
20	3/4	120	35
25	1	125	43
32	1 1/4	145	52
40	1 1/2	155	57
50	2	168	69
65	2 1/2	200	88
80	3	225	100
100	4	250	127



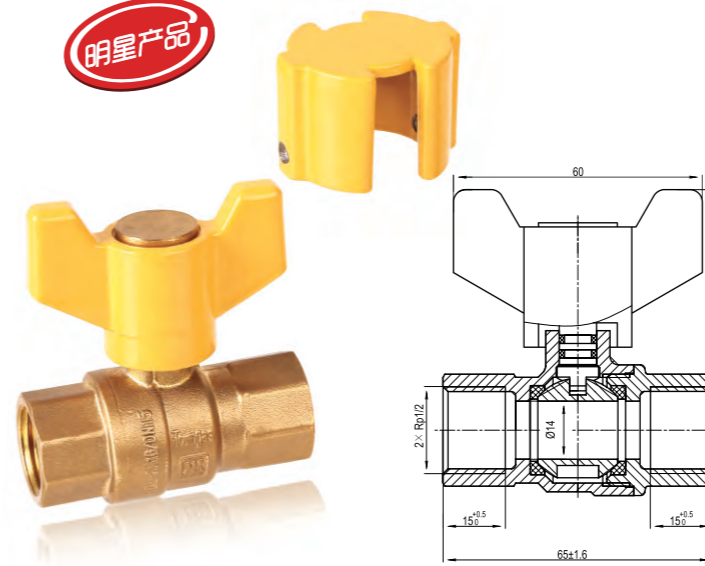
9901 浮球阀
Floating Ball Actuated Valve (KXL-6T-A)

技术规范
公称压力: 0.6 MPa
工作介质: 水
工作温度: 0°C ≤ t ≤ 80°C

Technical Standard
Nominal Pressure: 0.6 MPa
Working Medium: Water
Working Temperature: 0°C ≤ t ≤ 80°C

DN	A	B	C	D	D1
15	21	G1/2	272	12	-
20	21	G3/4	320	12	16
25	21	G1	320	12	16
32	31	G1 1/4	333.5	12	23
40	34	G1 1/2	346.5	12	27
50	34	G2	351.5	12	27

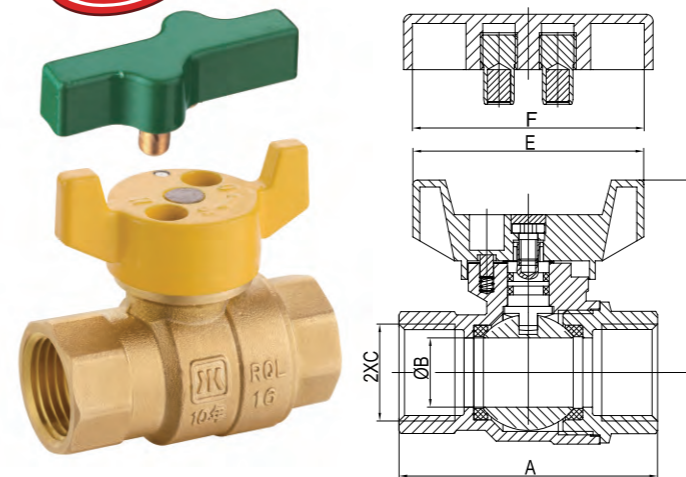
燃气阀门系列 GAS VALVES SERIES



R45001 黄铜提拉式双控内螺纹球阀
Brass Gas Ball Valve Controlled FF (RQL-PN16)

技术规范	Technical Standard
公称压力: 1.6 MPa	Nominal Pressure: 1.6 MPa
工作介质: 天然气、人工煤气、液化石油气	Working Medium: Natural gas, Artificial gas, Liquefied petroleum gas
工作温度: -20°C ≤ t ≤ 80°C	Working Temperature: -20°C ≤ t ≤ 80°C
圆柱管螺纹符合ISO228标准	Parallel Pipe Thread to ISO228

密封件选用M111/日本大金材料
O型圈选用意大利NBR材料, 符合EN682标准

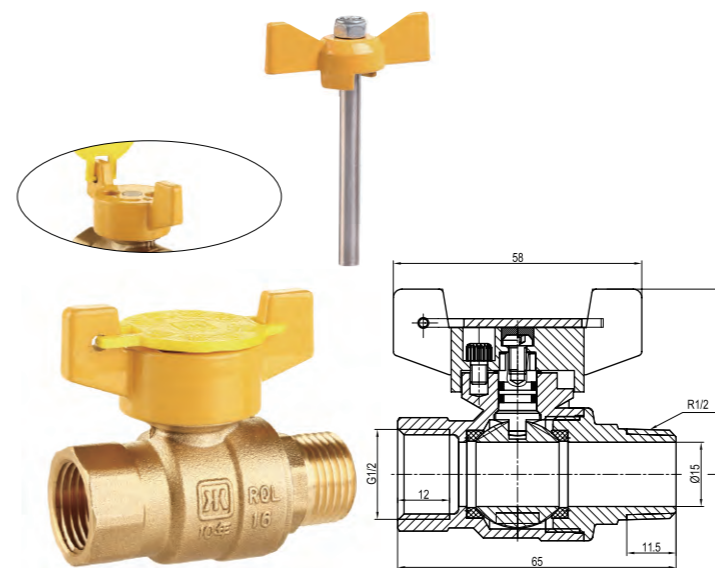


★ 产品设计按CJ/T180-2014设计
★ 全通径系列, 长度符合N4要求。

R50201 黄铜磁控防盗球阀
Brass Magnetic Anti-Theft Ball Valve (RQL-PN16)

技术规范	Technical Standard
公称压力: 1.6 MPa	Nominal Pressure: 1.6 MPa
工作介质: 天然气、人工煤气、液化石油气	Working Medium: Natural Gas, Artificial Gas, Liquefied Petroleum Gas
工作温度: -20°C ≤ t ≤ 80°C	Working Temperature: -20°C ≤ t ≤ 80°C
圆柱管螺纹符合ISO228标准	Parallel Pipe Thread to ISO228

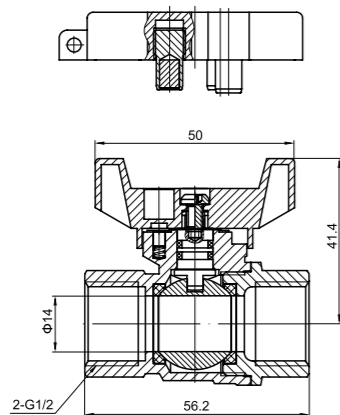
DN	A	B	C	D	E	F
15	56	15	G1/2	42	50	54
20	67	19	G3/4	47	50	54



★ 产品设计按CJ/T180-2014设计
★ 全通径系列, 长度符合N4要求。

R50602 黄铜内外丝防盗球阀
Brass Gas Ball Valve Anti-theft (RQL-PN16)

技术规范	Technical Standard
公称压力: 1.6 MPa	Nominal Pressure: 1.6 MPa
工作介质: 天然气、人工煤气、液化石油气	Working Medium: Natural Gas, Artificial Gas, Liquefied Petroleum Gas
工作温度: -20°C ≤ t ≤ 110°C	Working Temperature: -20°C ≤ t ≤ 110°C
圆柱管螺纹符合ISO228标准	Parallel Pipe Thread to ISO228



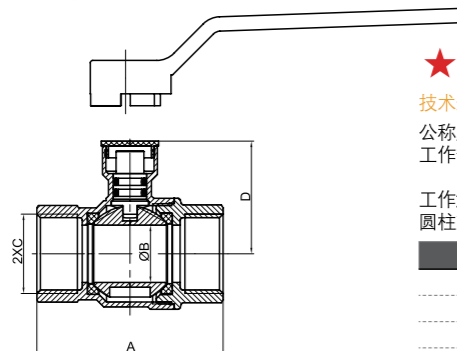
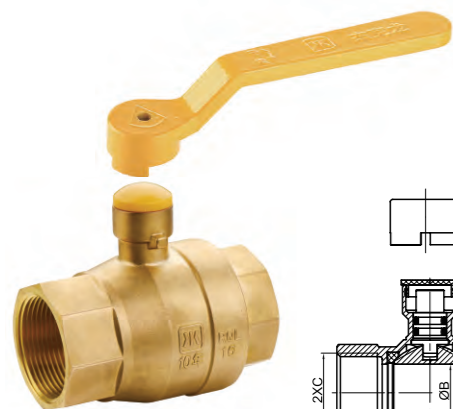
9200A 黄铜双控防盗燃气球阀
Brass Double Control Gas Ball Valve Antitheft (RQL-PN16)

技术规范

公称压力: 1.6 MPa
工作介质: 天然气、人工煤气、液化石油气
工作温度: $-20^{\circ}\text{C} \leq t \leq 80^{\circ}\text{C}$
圆柱管螺纹符合ISO228标准

Technical Standard

Nominal Pressure: 1.6 MPa
Working Medium: Natural gas, Artificial gas, Liquefied petroleum gas
Working Temperature: $-20^{\circ}\text{C} \leq t \leq 80^{\circ}\text{C}$
Parallel Pipe Thread to ISO228



R50001 黄铜内螺纹锁式球阀
Lockable Gas Ball Valve FF (RQL-PN16)

★内藏式防拆结构，需专用工具来开启关闭。

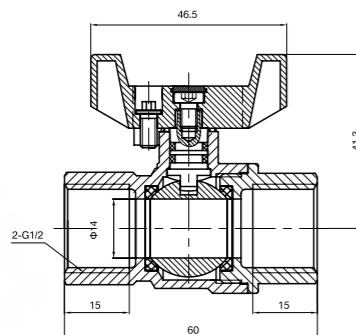
技术规范

公称压力: 1.6 MPa
工作介质: 天然气、人工煤气、液化石油气
工作温度: $-20^{\circ}\text{C} \leq t \leq 110^{\circ}\text{C}$
圆柱管螺纹符合ISO228-1: 2000标准

Technical Standard

Nominal Pressure: 1.6 MPa
Working Medium: Natural gas, Artificial gas, Liquefied petroleum gas
Working Temperature: $-20^{\circ}\text{C} \leq t \leq 110^{\circ}\text{C}$
Parallel Pipe Thread to ISO228-1:2000

DN	A	B	C	D
25	78	24	G1	47
32	88	30	G1 1/4	52.6
40	104.5	38	G1 1/2	66
50	120	49	G2	75.5



9241 黄铜可控防盗燃气球阀
Brass Gas Ball Valve Controlled Anti-theft (RQL-PN16)

产品特点:

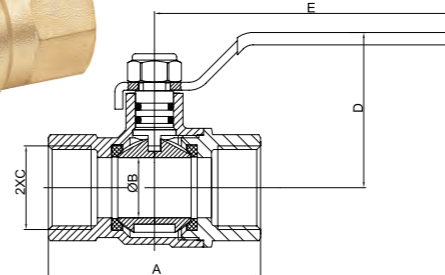
1. 主要零件采用优质铜材 (HPb59-1) 和热锻工艺制作而成, 使产品具有良好的机械物理性能。
2. 采用优质氟塑料 (PTFE) 作为密封材料, 保证产品无泄漏, 并有较高的使用寿命。
3. 当处于管理模式状态时, 使用专用钥匙将非标螺钉拆卸, 即可自由开关燃气阀。

技术规范

公称压力: 1.6 MPa
工作介质: 天然气、人工煤气、液化石油气
工作温度: $-20^{\circ}\text{C} \leq t \leq 110^{\circ}\text{C}$
圆柱管螺纹符合ISO228标准

Technical Standard

Nominal Pressure: 1.6 MPa
Working Medium: Natural Gas, Artificial Gas, Liquefied Petroleum Gas
Working Temperature: $-20^{\circ}\text{C} \leq t \leq 110^{\circ}\text{C}$
Parallel Pipe Thread to ISO228



- ★产品设计按CJ/T180-2014设计
- ★全通径系列, 长度符合N4要求。

R60001 黄铜内螺纹球阀
Gas Ball Valve FF (RQL-PN16)

技术规范

公称压力: 1.6 MPa
工作介质: 天然气、人工煤气、液化石油气
工作温度: $-20^{\circ}\text{C} \leq t \leq 110^{\circ}\text{C}$
圆柱管螺纹符合ISO228标准

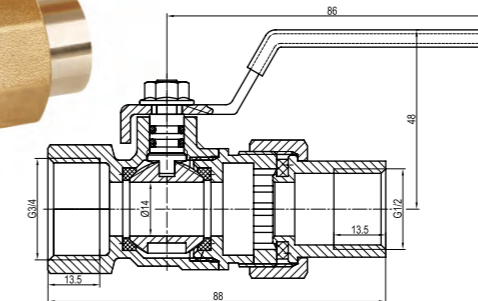
Technical Standard

Nominal Pressure: 1.6 MPa
Working Medium: Natural Gas, Artificial Gas, Liquefied Petroleum Gas
Working Temperature: $-20^{\circ}\text{C} \leq t \leq 110^{\circ}\text{C}$
Parallel Pipe Thread to ISO228

DN	A	B	C	D	E
15	56	15	G1/2	42	98
20	67	19	G3/4	49	97.7
25	78	24	G1	55	110
32	88	30	G1 1/4	63	140
40	104.5	38	G1 1/2	68	140
50	120	49	G2	79	156

- ★产品设计按CJ/T180-2014设计

R60102 黄铜异径活接球阀
Brass Female Reduced Gas Ball Valve (RQH-PN16)

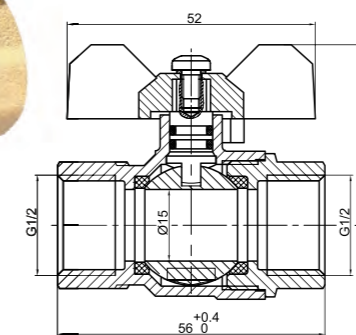


技术规范

公称压力: 1.6 MPa
工作介质: 天然气、人工煤气、液化石油气
工作温度: $-20^{\circ}\text{C} \leq t \leq 110^{\circ}\text{C}$
圆柱管螺纹符合ISO228标准

Technical Standard

Nominal Pressure: 1.6 MPa
Working Medium: Natural gas, Artificial gas, Liquefied petroleum gas
Working Temperature: $-20^{\circ}\text{C} \leq t \leq 110^{\circ}\text{C}$
Parallel Pipe Thread to ISO228



R60003 黄铜内螺纹球阀
Gas Ball Valve FF (RQL-PN16)

技术规范

公称压力: 1.6 MPa
工作介质: 天然气、人工煤气、液化石油气
工作温度: $-20^{\circ}\text{C} \leq t \leq 110^{\circ}\text{C}$
圆柱管螺纹符合ISO228标准

Technical Standard

Nominal Pressure: 1.6 MPa
Working Medium: Natural gas, Artificial gas, Liquefied petroleum gas
Working Temperature: $-20^{\circ}\text{C} \leq t \leq 110^{\circ}\text{C}$
Parallel Pipe Thread to ISO228

- ★ 产品设计按CJ/T180-2014设计
- ★ 全通径系列，长度符合N9要求。

246 黄铜燃气球阀
Brass Gas Ball Valve (RQL-PN16)

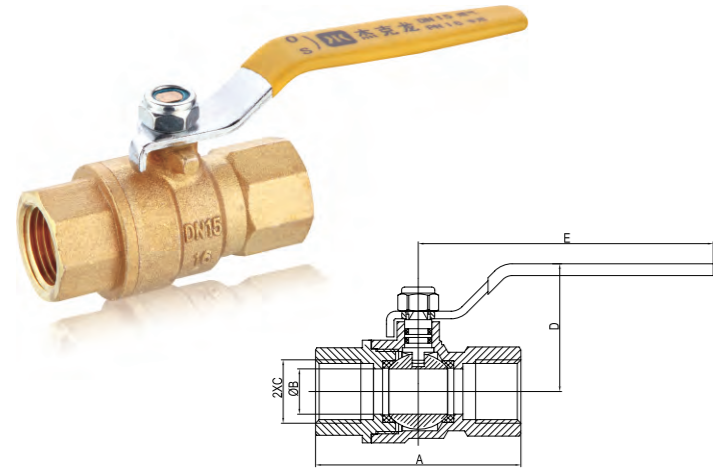
技术规范

公称压力: 1.6 MPa
工作介质: 天然气、人工煤气、液化石油气
工作温度: $-20^{\circ}\text{C} \leq t \leq 110^{\circ}\text{C}$
圆柱管螺纹符合ISO228标准

Technical Standard

Nominal Pressure: 1.6 MPa
Working Medium: Natural Gas, Artificial Gas, Liquefied Petroleum Gas
Working Temperature: $-20^{\circ}\text{C} \leq t \leq 110^{\circ}\text{C}$
Parallel Pipe Thread to ISO228

DN	A	B	C	D	E
15	69	15	G1/2	42	98
20	78	19.6	G3/4	49	97.7
25	86	24	G1	55	110
32	100	31.6	G1 1/4	62	140
40	106	39.5	G1 1/2	68	140
50	130	49	G2	77	155



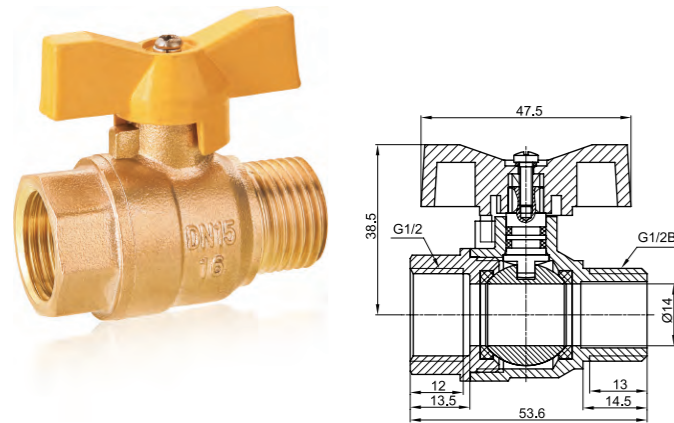
248 黄铜内外螺纹燃气球阀
Brass Gas Ball Valve MF (RQL-PN16)

技术规范

公称压力: 1.6 MPa
工作介质: 天然气、人工煤气、液化石油气
工作温度: $-20^{\circ}\text{C} \leq t \leq 110^{\circ}\text{C}$
圆柱管螺纹符合ISO228标准

Technical Standard

Nominal Pressure: 1.6 MPa
Working Medium: Natural Gas, Artificial Gas, Liquefied Petroleum Gas
Working Temperature: $-20^{\circ}\text{C} \leq t \leq 110^{\circ}\text{C}$
Parallel Pipe Thread to ISO228



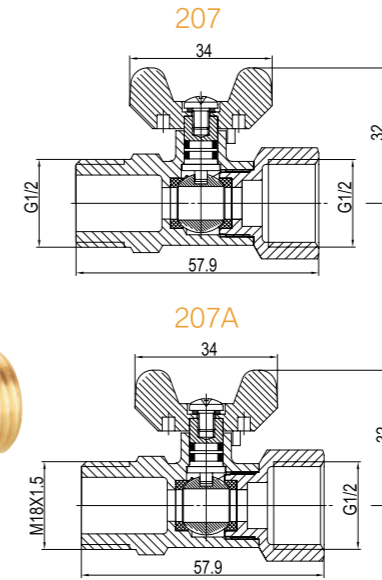
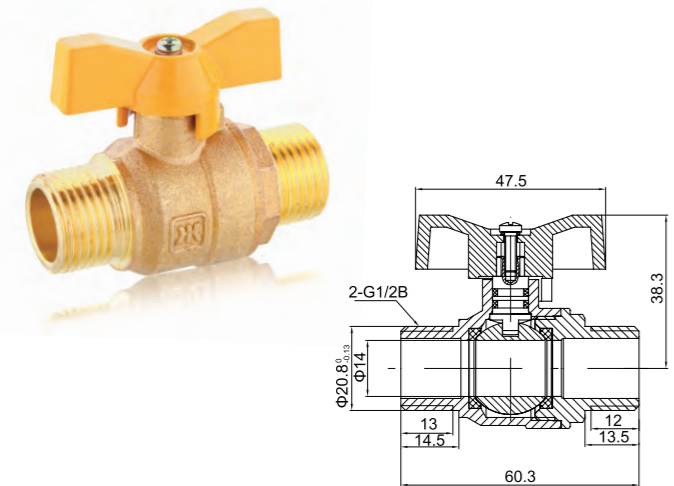
243 黄铜外螺纹燃气球阀
Brass Male Gas Ball Valve (RQL-PN16)

技术规范

公称压力: 1.6 MPa
工作介质: 天然气、人工煤气、液化石油气
工作温度: $-20^{\circ}\text{C} \leq t \leq 110^{\circ}\text{C}$
圆柱管螺纹符合ISO228标准

Technical Standard

Nominal Pressure: 1.6 MPa
Working Medium: Natural Gas, Artificial Gas, Liquefied Petroleum Gas
Working Temperature: $-20^{\circ}\text{C} \leq t \leq 110^{\circ}\text{C}$
Parallel Pipe Thread to ISO228



207/207A 黄铜内外丝燃气球阀
Brass Gas Ball Valve MF (RQZ-PN0.15)

技术规范

公称压力: 0.015 MPa
工作介质: 天然气、人工煤气、液化石油气
工作温度: $-20^{\circ}\text{C} \leq t \leq 110^{\circ}\text{C}$
圆柱管螺纹符合ISO228标准

Technical Standard

Nominal Pressure: 0.015 MPa
Working Medium: Natural Gas, Artificial Gas, Liquefied Petroleum Gas
Working Temperature: $-20^{\circ}\text{C} \leq t \leq 110^{\circ}\text{C}$
Parallel Pipe Thread to ISO228

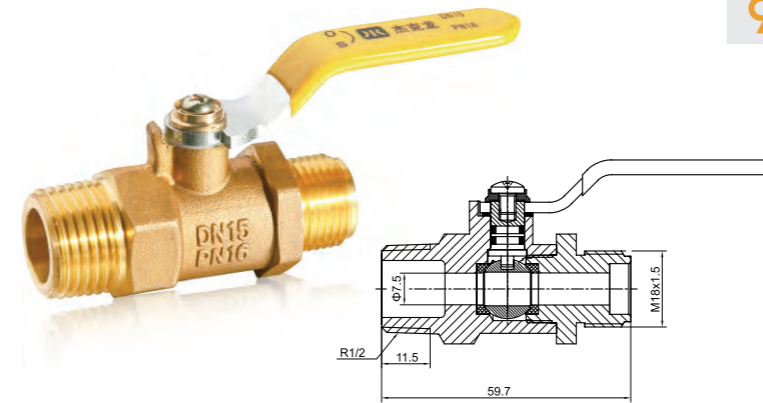
9252 黄铜外丝燃气球阀
Brass Male Gas Ball Valve (RQL-PN16)

技术规范

公称压力: 1.6 MPa
工作介质: 天然气、人工煤气、液化石油气
工作温度: $-20^{\circ}\text{C} \leq t \leq 110^{\circ}\text{C}$
圆柱管螺纹符合ISO228标准

Technical Standard

Nominal Pressure: 1.6 MPa
Working Medium: Natural Gas, Artificial Gas, Liquefied Petroleum Gas
Working Temperature: $-20^{\circ}\text{C} \leq t \leq 110^{\circ}\text{C}$
Parallel Pipe Thread to ISO228



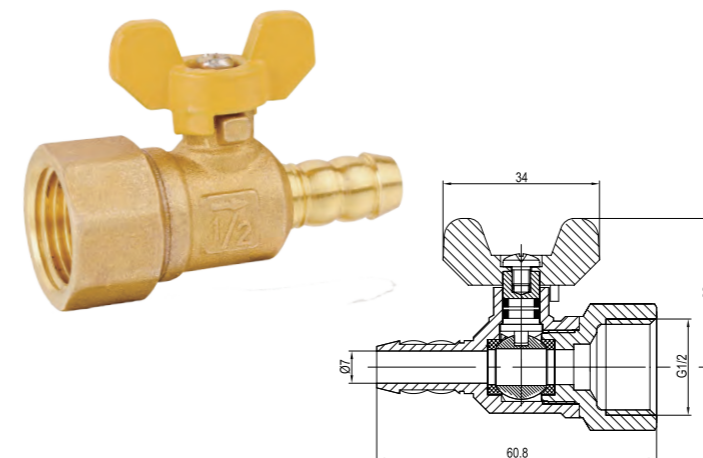
9233 黄铜内螺纹燃气直嘴φ9.5
Brass Female Thread Integral Leakproof
Gas Ball Valve (RQJ-PN0.15)

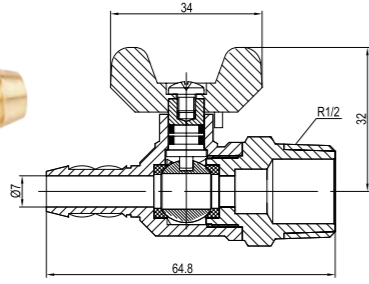
技术规范

公称压力: 0.015 MPa
工作介质: 天然气、人工煤气、液化石油气
工作温度: $-20^{\circ}\text{C} \leq t \leq 110^{\circ}\text{C}$
圆柱管螺纹符合ISO228标准

Technical Standard

Nominal Pressure: 0.015 MPa
Working Medium: Natural Gas, Artificial Gas, Liquefied Petroleum Gas
Working Temperature: $-20^{\circ}\text{C} \leq t \leq 110^{\circ}\text{C}$
Parallel Pipe Thread to ISO228





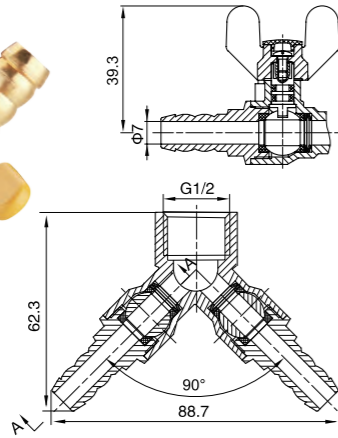
9234 黄铜外螺纹燃气直嘴Φ9.5
Brass Male Screw Leakproof Gas Ball Valve
With Mouth (RQJ-PN0.15)

技术规范

公称压力: 0.015MPa
工作介质: 天然气、人工煤气、
液化石油气
工作温度: $-20^{\circ}\text{C} \leq t \leq 110^{\circ}\text{C}$
圆柱管螺纹符合ISO228标准

Technical Standard

Nominal Pressure: 0.015MPa
Working Medium: Natural Gas, Artificial Gas,
Liquefied Petroleum Gas
Working Temperature: $-20^{\circ}\text{C} \leq t \leq 110^{\circ}\text{C}$
Parallel Pipe Thread to ISO228



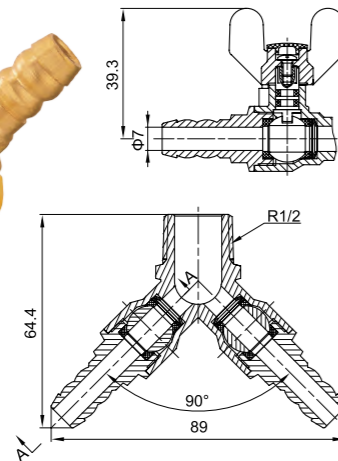
236 黄铜内螺纹双接管防泄漏燃气球阀
Brass Female Screw Leakproof Gas Ball Valve
With Double Mouth (RQJ-PN0.15)

技术规范

公称压力: 0.015MPa
工作介质: 天然气、人工煤气、
液化石油气
工作温度: $-20^{\circ}\text{C} \leq t \leq 110^{\circ}\text{C}$
圆柱管螺纹符合ISO228标准

Technical Standard

Nominal Pressure: 0.015MPa
Working Medium: Natural Gas, Artificial Gas,
Liquefied Petroleum Gas
Working Temperature: $-20^{\circ}\text{C} \leq t \leq 110^{\circ}\text{C}$
Parallel Pipe Thread to ISO228



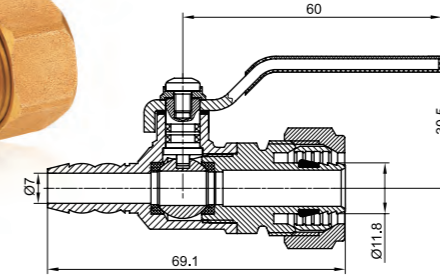
235 黄铜外螺纹双接管防泄漏燃气球阀
Brass Male Screw Leakproof Gas Ball Valve
With Double Mouth (RQJ-PN0.15)

技术规范

公称压力: 0.015 MPa
工作介质: 天然气、人工煤气、液化石油气
工作温度: $-20^{\circ}\text{C} \leq t \leq 110^{\circ}\text{C}$
圆柱管螺纹符合ISO228标准

Technical Standard

Nominal Pressure: 0.015 MPa
Working Medium: Natural Gas, Artificial Gas,
Liquefied Petroleum Gas
Working Temperature: $-20^{\circ}\text{C} \leq t \leq 110^{\circ}\text{C}$
Parallel Pipe Thread to ISO228



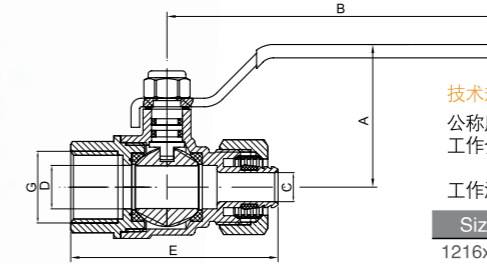
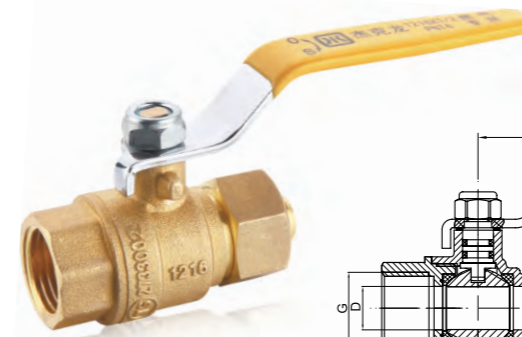
247 黄铜燃气球阀
Brass Gas Ball Valve (RQT-PN0.15)

技术规范

公称压力: 0.015MPa
工作介质: 天然气、人工煤气、
液化石油气
工作温度: $-20^{\circ}\text{C} \leq t \leq 110^{\circ}\text{C}$

Technical Standard

Nominal Pressure: 0.015MPa
Working Medium: Natural Gas, Artificial Gas,
Liquefied Petroleum Gas
Working Temperature: $-20^{\circ}\text{C} \leq t \leq 110^{\circ}\text{C}$



9201 黄铜铝塑管内丝燃气球阀
Brass Gas Ball Valve Fx F For PEX-AI-PEX
(RQT-PN16)

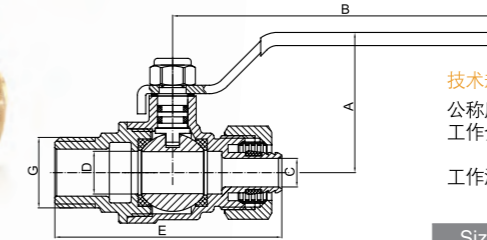
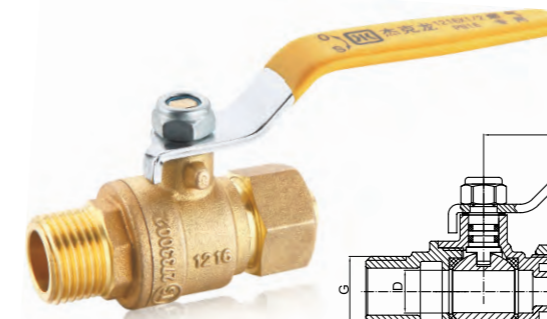
技术规范

公称压力: 1.6MPa
工作介质: 天然气、人工煤气、
液化石油气
工作温度: $-20^{\circ}\text{C} \leq t \leq 110^{\circ}\text{C}$

Technical Standard

Nominal Pressure: 1.6MPa
Working Medium: Natural Gas, Artificial Gas,
Liquefied Petroleum Gas
Working Temperature: $-20^{\circ}\text{C} \leq t \leq 110^{\circ}\text{C}$

Size	A	B	C	D	E	G
1216x1/2	41.7	97.7	8	12.7	60.6	1/2
1620x1/2	41.7	97.7	12	12.7	57.6	1/2
1620x3/4	41.7	97.7	12	12.7	60.6	3/4



9202 黄铜铝塑管外丝燃气球阀
Brass Gas Ball Valve Mx F For PEX-AI-PEX
(RQT-PN16)

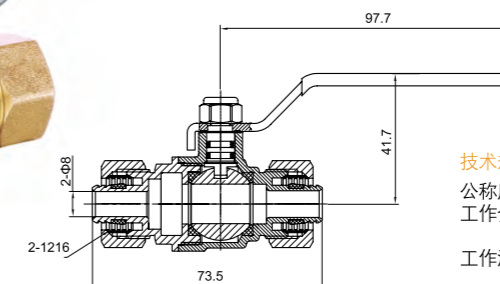
技术规范

公称压力: 1.6MPa
工作介质: 天然气、人工煤气、
液化石油气
工作温度: $-20^{\circ}\text{C} \leq t \leq 110^{\circ}\text{C}$

Technical Standard

Nominal Pressure: 1.6MPa
Working Medium: Natural Gas, Artificial Gas,
Liquefied Petroleum Gas
Working Temperature: $-20^{\circ}\text{C} \leq t \leq 110^{\circ}\text{C}$

Size	A	B	C	D	E	G
1216x1/2	41.7	97.7	8	12.7	67.5	1/2
1620x1/2	41.7	97.7	12.3	12.7	64.5	1/2



9203 黄铜铝塑管燃气球阀
Brass Gas Ball Valve For PEX-AI-PEX
(RQT-PN16)

技术规范

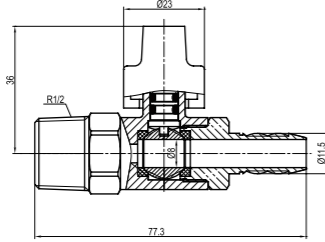
公称压力: 1.6MPa
工作介质: 天然气、人工煤气、
液化石油气
工作温度: $-20^{\circ}\text{C} \leq t \leq 110^{\circ}\text{C}$

Technical Standard

Nominal Pressure: 1.6MPa
Working Medium: Natural Gas, Artificial Gas,
Liquefied Petroleum Gas
Working Temperature: $-20^{\circ}\text{C} \leq t \leq 110^{\circ}\text{C}$

过流自动切断阀系列
Automatic Shut-off Gas Ball Valve

★产品设计按CJ/T180-2014设计



R12002 黄铜外直嘴自动切断球阀
Brass Automatic Shut-off Gas Ball Valve With Nozzle MM (RQJ-PN0.15)

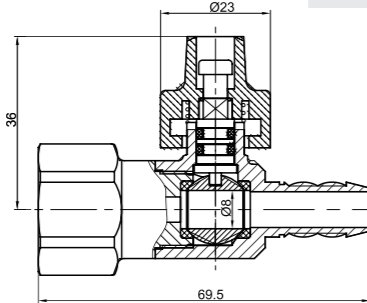
技术规范

公称压力: 0.015MPa
工作介质: 天然气、人工煤气、液化石油气
工作温度: $-20^{\circ}\text{C} \leq t \leq 60^{\circ}\text{C}$
圆柱管螺纹符合ISO228标准
过流切断量: $1.2\text{m}^3/\text{h}$ 、 $1.5\text{m}^3/\text{h}$

Technical Standard

Nominal Pressure: 0.015MPa
Working Medium: Natural Gas, Artificial Gas, Liquefied Petroleum Gas
Working Temperature: $-20^{\circ}\text{C} \leq t \leq 60^{\circ}\text{C}$
Parallel Pipe Thread to ISO228
Volume Of Cutting Off The Flow: $1.2\text{m}^3/\text{h}$ 、 $1.5\text{m}^3/\text{h}$

★产品设计按CJ/T180-2014设计



R12401 黄铜内直嘴自动切断球阀
Brass Automatic Shut-off Gas Ball Valve With Nozzle FF (RQJ-PN0.15)

技术规范

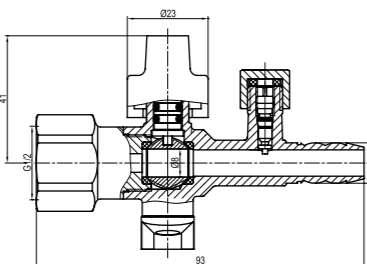
公称压力: 0.015MPa
工作介质: 天然气、人工煤气、液化石油气
工作温度: $-20^{\circ}\text{C} \leq t \leq 60^{\circ}\text{C}$
圆柱管螺纹符合ISO228标准
过流切断量: $1.2\text{m}^3/\text{h}$ 、 $1.5\text{m}^3/\text{h}$

Technical Standard

Nominal Pressure: 0.015MPa
Working Medium: Natural Gas, Artificial Gas, Liquefied Petroleum Gas
Working Temperature: $-20^{\circ}\text{C} \leq t \leq 60^{\circ}\text{C}$
Parallel Pipe Thread to ISO228
Volume Of Cutting Off The Flow: $1.2\text{m}^3/\text{h}$ 、 $1.5\text{m}^3/\text{h}$

★产品设计按CJ/T180-2014设计

- ★可根据安装需求增加底座结构, 底座方向可调。
- ★可实现带气测管路压力。



R12201 带底座测压过流切断球阀
Brass Automatic Shut-off Gas Ball Valve (RQJ-PN0.15)

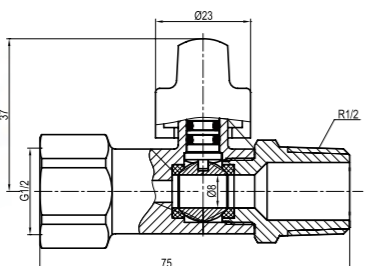
技术规范

公称压力: 0.015MPa
工作介质: 天然气、人工煤气、液化石油气
工作温度: $-20^{\circ}\text{C} \leq t \leq 60^{\circ}\text{C}$
圆柱管螺纹符合ISO228标准
过流切断量: $1.2\text{m}^3/\text{h}$ 、 $1.5\text{m}^3/\text{h}$

Technical Standard

Nominal Pressure: 0.015MPa
Working Medium: Natural Gas, Artificial Gas, Liquefied Petroleum Gas
Working Temperature: $-20^{\circ}\text{C} \leq t \leq 60^{\circ}\text{C}$
Parallel Pipe Thread to ISO228
Volume Of Cutting Off The Flow: $1.2\text{m}^3/\text{h}$ 、 $1.5\text{m}^3/\text{h}$

★产品设计按CJ/T180-2014设计



R12301 黄铜内外螺纹自动切断球阀
Brass Automatic Shut-off Gas Ball Valve MF (RQZ-PN0.15)

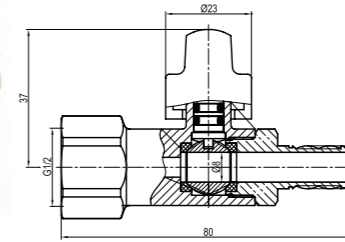
技术规范

公称压力: 0.015MPa
工作介质: 天然气、人工煤气、液化石油气
工作温度: $-20^{\circ}\text{C} \leq t \leq 60^{\circ}\text{C}$
圆柱管螺纹符合ISO228标准
过流切断量: $1.2\text{m}^3/\text{h}$ 、 $1.5\text{m}^3/\text{h}$

Technical Standard

Nominal Pressure: 0.015MPa
Working Medium: Natural Gas, Artificial Gas, Liquefied Petroleum Gas
Working Temperature: $-20^{\circ}\text{C} \leq t \leq 60^{\circ}\text{C}$
Parallel Pipe Thread to ISO228
Volume Of Cutting Off The Flow: $1.2\text{m}^3/\text{h}$ 、 $1.5\text{m}^3/\text{h}$

★产品设计按CJ/T180-2014设计



R12101 黄铜内直嘴自动切断球阀
Brass Automatic Shut-off Gas Ball Valve With Nozzle FF (RQJ-PN0.15)

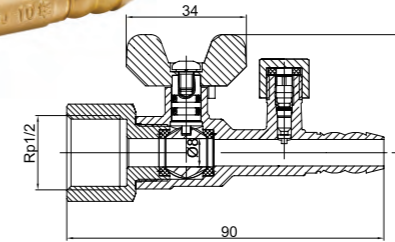
技术规范

公称压力: 0.015MPa
工作介质: 天然气、人工煤气、液化石油气
工作温度: $-20^{\circ}\text{C} \leq t \leq 60^{\circ}\text{C}$
圆柱管螺纹符合ISO228标准
过流切断量: $1.2\text{m}^3/\text{h}$ 、 $1.5\text{m}^3/\text{h}$

Technical Standard

Nominal Pressure: 0.015MPa
Working Medium: Natural Gas, Artificial Gas, Liquefied Petroleum Gas
Working Temperature: $-20^{\circ}\text{C} \leq t \leq 60^{\circ}\text{C}$
Parallel Pipe Thread to ISO228
Volume Of Cutting Off The Flow: $1.2\text{m}^3/\text{h}$ 、 $1.5\text{m}^3/\text{h}$

测压系列燃气球阀
PRESSURE TESTING GAS BALL VALVE



★可实现带气测压, 测压时使用专用测压工具。

R10001 黄铜内直嘴测压球阀
Gas Ball Valve With Nozzle (RQJ-PN0.15)

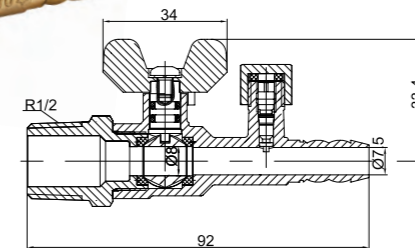
技术规范

公称压力: 0.015MPa
工作介质: 天然气、人工煤气、液化石油气
工作温度: $-20^{\circ}\text{C} \leq t \leq 110^{\circ}\text{C}$
圆锥管螺纹符合ISO7标准
圆柱管螺纹符合ISO228标准

Technical Standard

Nominal Pressure: 0.015 MPa
Working Medium: Natural gas, Artificial gas, Liquefied petroleum gas
Working Temperature: $-20^{\circ}\text{C} \leq t \leq 110^{\circ}\text{C}$
Taper Pipe Thread to ISO7
Parallel Pipe Thread to ISO228

密封件选用M111/日本大金材料
O型圈选用意大利NBR材料, 符合EN682标准



★可实现带气测压, 测压时使用专用测压工具。

R10002 黄铜外直嘴测压球阀
Gas Ball Valve With Nozzle (RQJ-PN0.15)

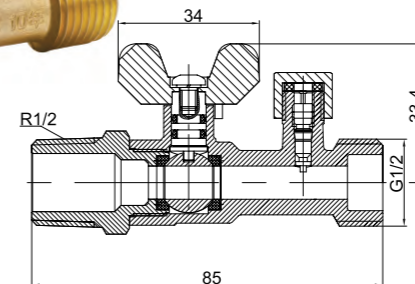
技术规范

公称压力: 0.015MPa
工作介质: 天然气、人工煤气、液化石油气
工作温度: $-20^{\circ}\text{C} \leq t \leq 110^{\circ}\text{C}$
圆锥管螺纹符合ISO7标准
圆柱管螺纹符合ISO228标准

Technical Standard

Nominal Pressure: 0.015 MPa
Working Medium: Natural gas, Artificial gas, Liquefied petroleum gas
Working Temperature: $-20^{\circ}\text{C} \leq t \leq 110^{\circ}\text{C}$
Taper Pipe Thread to ISO7
Parallel Pipe Thread to ISO228

密封件选用M111/日本大金材料
O型圈选用意大利NBR材料, 符合EN682标准



★可实现带气测压, 测压时使用专用测压工具。

R10102 黄铜外螺纹测压球阀
Gas Ball Valve MM (RQZ-PN0.15)

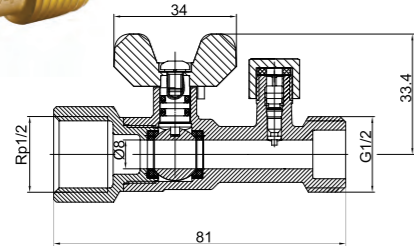
技术规范

公称压力: 0.015MPa
工作介质: 天然气、人工煤气、液化石油气
工作温度: $-20^{\circ}\text{C} \leq t \leq 110^{\circ}\text{C}$
圆锥管螺纹符合ISO7标准
圆柱管螺纹符合ISO228标准

Technical Standard

Nominal Pressure: 0.015 MPa
Working Medium: Natural gas, Artificial gas, Liquefied petroleum gas
Working Temperature: $-20^{\circ}\text{C} \leq t \leq 110^{\circ}\text{C}$
Taper Pipe Thread to ISO7
Parallel Pipe Thread to ISO228

密封件选用M111/日本大金材料
O型圈选用意大利NBR材料, 符合EN682标准

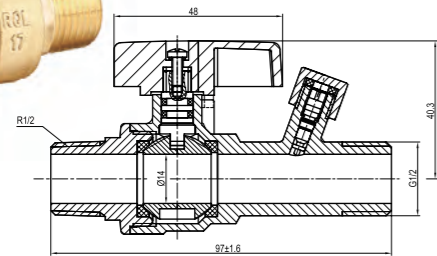


★可实现带气测压，测压时使用专用测压工具。

R10101 黄铜内外螺纹测压球阀
Gas Ball Valve FM (RQZ-PN0.15)

技术规范	Technical Standard
公称压力: 0.015MPa	Nominal Pressure: 0.015 MPa
工作介质: 天然气、人工煤气、液化石油气	Working Medium: Natural gas, Artificial gas, Liquefied petroleum gas
工作温度: $-20^{\circ}\text{C} \leq t \leq 110^{\circ}\text{C}$	Working Temperature: $-20^{\circ}\text{C} \leq t \leq 110^{\circ}\text{C}$
圆锥管螺纹符合ISO7标准	Taper Pipe Thread to ISO7
圆柱管螺纹符合ISO228标准	Parallel Pipe Thread to ISO228

密封件选用M111/日本大金材料
O型圈选用意大利NBR材料，符合EN682标准

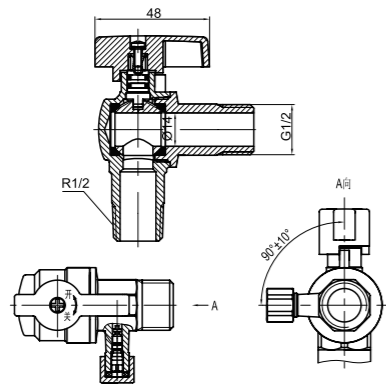


★产品设计按CJ/T180-2014设计
★可实现带气测压，测压时使用专用测压工具。

R10901 黄铜外螺纹测压球阀
Gas Ball Valve MM (RQL-PN0.15)

技术规范	Technical Standard
公称压力: 0.015MPa	Nominal Pressure: 0.015 MPa
工作介质: 天然气、人工煤气、液化石油气	Working Medium: Natural gas, Artificial gas, Liquefied petroleum gas
工作温度: $-20^{\circ}\text{C} \leq t \leq 110^{\circ}\text{C}$	Working Temperature: $-20^{\circ}\text{C} \leq t \leq 110^{\circ}\text{C}$
圆柱管螺纹符合ISO228标准	Parallel Pipe Thread to ISO228

密封件选用M111/日本大金材料
O型圈选用意大利NBR材料，符合EN682标准

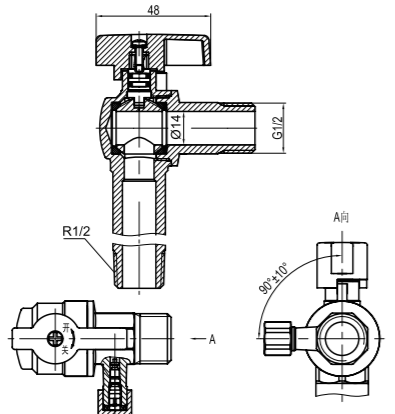


★产品设计按CJ/T180-2014设计
★可实现带气测压，测压时使用专用测压工具。

R11001 黄铜外螺纹直角测压球阀
Gas Ball Valve MM (RQL-PN0.15)

技术规范	Technical Standard
公称压力: 0.015MPa	Nominal Pressure: 0.015 MPa
工作介质: 天然气、人工煤气、液化石油气	Working Medium: Natural gas, Artificial gas, Liquefied petroleum gas
工作温度: $-20^{\circ}\text{C} \leq t \leq 110^{\circ}\text{C}$	Working Temperature: $-20^{\circ}\text{C} \leq t \leq 110^{\circ}\text{C}$
圆柱管螺纹符合ISO228标准	Parallel Pipe Thread to ISO228

密封件选用M111/日本大金材料
O型圈选用意大利NBR材料，符合EN682标准



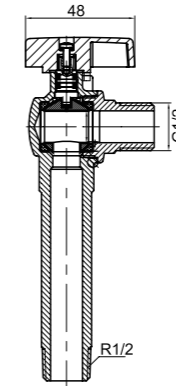
★产品设计按CJ/T180-2014设计
★可实现带气测压，测压时使用专用测压工具。

R11102 黄铜外螺纹直角测压球阀
Gas Ball Valve MM (RQL-PN0.15)

技术规范	Technical Standard
公称压力: 0.015MPa	Nominal Pressure: 0.015 MPa
工作介质: 天然气、人工煤气、液化石油气	Working Medium: Natural gas, Artificial gas, Liquefied petroleum gas
工作温度: $-20^{\circ}\text{C} \leq t \leq 110^{\circ}\text{C}$	Working Temperature: $-20^{\circ}\text{C} \leq t \leq 110^{\circ}\text{C}$
圆柱管螺纹符合ISO228标准	Parallel Pipe Thread to ISO228

密封件选用M111/日本大金材料
O型圈选用意大利NBR材料，符合EN682标准

黄铜外螺纹直角球阀系列
Brass Angle Gas Ball Valve

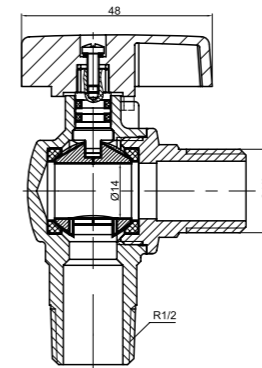


★产品设计按CJ/T180-2014设计

R11101 黄铜外螺纹直角球阀
Gas Ball Valve MM (RQL-PN0.15)

技术规范	Technical Standard
公称压力: 0.015MPa	Nominal Pressure: 0.015 MPa
工作介质: 天然气、人工煤气、液化石油气	Working Medium: Natural gas, Artificial gas, Liquefied petroleum gas
工作温度: $-20^{\circ}\text{C} \leq t \leq 110^{\circ}\text{C}$	Working Temperature: $-20^{\circ}\text{C} \leq t \leq 110^{\circ}\text{C}$
圆锥管螺纹符合ISO7标准	Taper Pipe Thread to ISO7
圆柱管螺纹符合ISO228标准	Parallel Pipe Thread to ISO228

密封件选用M111/日本大金材料
O型圈选用意大利NBR材料，符合EN682标准



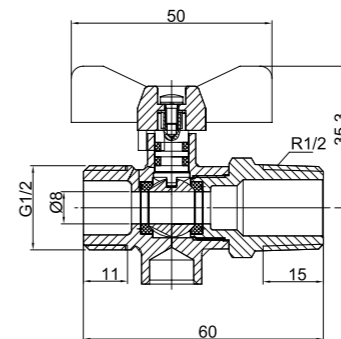
★产品设计按CJ/T180-2014设计

R30401 黄铜外螺纹直角球阀
Gas Ball Valve MM (RQL-PN16)

技术规范	Technical Standard
公称压力: 1.6MPa	Nominal Pressure: 1.6 MPa
工作介质: 天然气、人工煤气、液化石油气	Working Medium: Natural gas, Artificial gas, Liquefied petroleum gas
工作温度: $-20^{\circ}\text{C} \leq t \leq 110^{\circ}\text{C}$	Working Temperature: $-20^{\circ}\text{C} \leq t \leq 110^{\circ}\text{C}$
圆柱管螺纹符合ISO228标准	Parallel Pipe Thread to ISO228

密封件选用M111/日本大金材料
O型圈选用意大利NBR材料，符合EN682标准

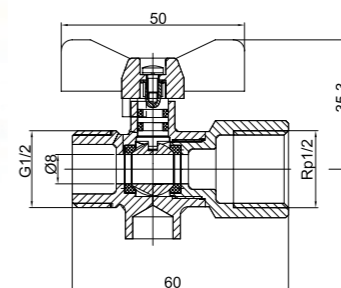
波纹管燃气球阀系列
Gas Ball Valve For Wavy Hoses



R10201 黄铜外螺纹带底座球阀
Gas Ball Valve MM (RQZ-PN0.15)

技术规范	Technical Standard
公称压力: 0.015MPa	Nominal Pressure: 0.015 MPa
工作介质: 天然气、人工煤气、液化石油气	Working Medium: Natural gas, Artificial gas, Liquefied petroleum gas
工作温度: $-20^{\circ}\text{C} \leq t \leq 110^{\circ}\text{C}$	Working Temperature: $-20^{\circ}\text{C} \leq t \leq 110^{\circ}\text{C}$
圆锥管螺纹符合ISO7标准	Taper Pipe Thread to ISO7
圆柱管螺纹符合ISO228标准	Parallel Pipe Thread to ISO228

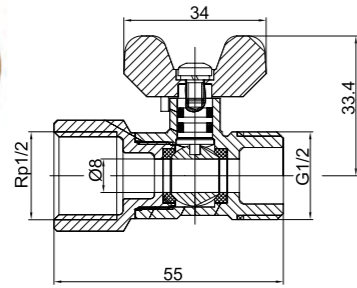
密封件选用M111/日本大金材料
O型圈选用意大利NBR材料，符合EN682标准



R10202 黄铜内外螺纹带底座球阀
Gas Ball Valve FM (RQZ-PN0.15)

技术规范	Technical Standard
公称压力: 0.015MPa	Nominal Pressure: 0.015 MPa
工作介质: 天然气、人工煤气、液化石油气	Working Medium: Natural gas, Artificial gas, Liquefied petroleum gas
工作温度: $-20^{\circ}\text{C} \leq t \leq 110^{\circ}\text{C}$	Working Temperature: $-20^{\circ}\text{C} \leq t \leq 110^{\circ}\text{C}$
圆锥管螺纹符合ISO7标准	Taper Pipe Thread to ISO7
圆柱管螺纹符合ISO228标准	Parallel Pipe Thread to ISO228

密封件选用M111/日本大金材料
O型圈选用意大利NBR材料，符合EN682标准

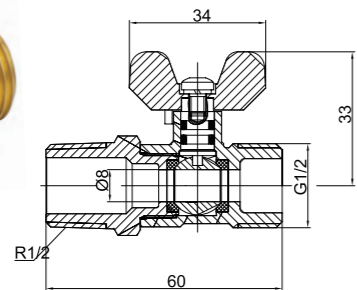


R10401 黄铜内外螺纹波纹管球阀
Gas Ball Valve FM (RQZ-PN0.15)

技术规范
公称压力: 0.015MPa
工作介质: 天然气、人工煤气、液化石油气
工作温度: -20℃≤t≤110℃
圆锥管螺纹符合ISO7标准
圆柱管螺纹符合ISO228标准

Technical Standard
Nominal Pressure: 0.015 MPa
Working Medium: Natural gas, Artificial gas, Liquefied petroleum gas
Working Temperature: -20℃≤t≤110℃
Taper Pipe Thread to ISO7
Parallel Pipe Thread to ISO228

密封件选用M111/日本大金材料
O型圈选用意大利NBR材料, 符合EN682标准



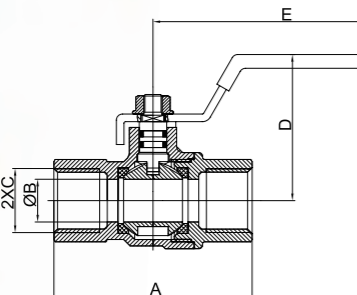
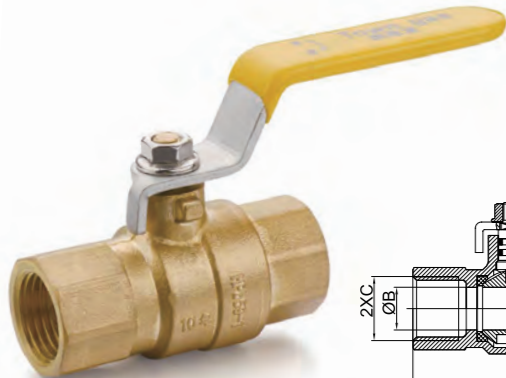
R10402 黄铜外螺纹波纹管球阀
Gas Ball Valve MM (RQZ-PN0.15)

技术规范
公称压力: 0.015MPa
工作介质: 天然气、人工煤气、液化石油气
工作温度: -20℃≤t≤110℃
圆锥管螺纹符合ISO7标准
圆柱管螺纹符合ISO228标准

Technical Standard
Nominal Pressure: 0.015 MPa
Working Medium: Natural gas, Artificial gas, Liquefied petroleum gas
Working Temperature: -20℃≤t≤110℃
Taper Pipe Thread to ISO7
Parallel Pipe Thread to ISO228

密封件选用M111/日本大金材料
O型圈选用意大利NBR材料, 符合EN682标准

港华系列
Towngas Valves Series



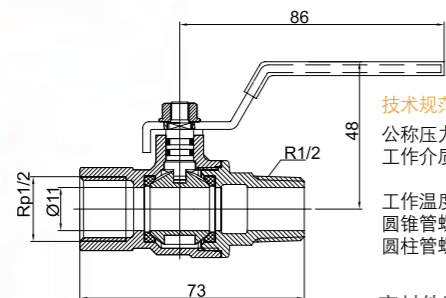
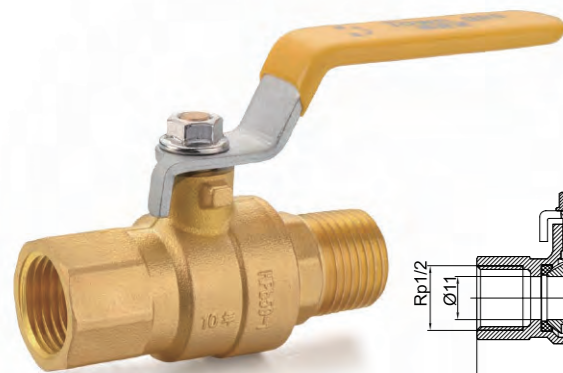
9243 黄铜内螺纹燃气球阀
Gas Ball Valve FF (RQL-PN16)

技术规范
公称压力: 1.6MPa
工作介质: 天然气、人工煤气、液化石油气
工作温度: -20℃≤t≤110℃
圆锥管螺纹符合ISO7标准
圆柱管螺纹符合ISO228标准

Technical Standard
Nominal Pressure: 1.6 MPa
Working Medium: Natural gas, Artificial gas, Liquefied petroleum gas
Working Temperature: -20℃≤t≤110℃
Taper Pipe Thread to ISO7
Parallel Pipe Thread to ISO228

DN	A	B	C	D	E
15	65	14	RP1/2	48	86
20	75	19	RP3/4	53	113
25	86	24	RP1	57	113
32	105	30	RP1 1/4	68	131
40	106	38	RP1 1/2	76	156
50	130	49	RP2	85	156

密封件选用M111/日本大金材料
O型圈选用意大利NBR材料, 符合EN682标准

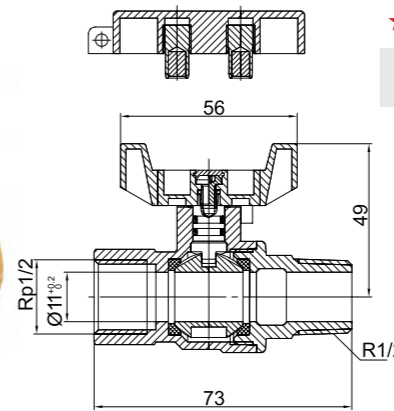


9243A 黄铜内外螺纹球阀
Gas Ball Valve FM (RQL-PN16)

技术规范
公称压力: 1.6MPa
工作介质: 天然气、人工煤气、液化石油气
工作温度: -20℃≤t≤110℃
圆锥管螺纹符合ISO7标准
圆柱管螺纹符合ISO228标准

Technical Standard
Nominal Pressure: 1.6 MPa
Working Medium: Natural gas, Artificial gas, Liquefied petroleum gas
Working Temperature: -20℃≤t≤110℃
Taper Pipe Thread to ISO7
Parallel Pipe Thread to ISO228

密封件选用M111/日本大金材料
O型圈选用意大利NBR材料, 符合EN682标准



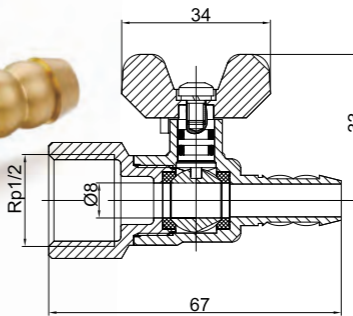
★防盗结构, 阀门关闭后需用专用工具方能开启。

9246A 黄铜内螺纹磁控锁式球阀
Lockable Gas Ball Valve FF (RQL-PN16)

技术规范
公称压力: 1.6MPa
工作介质: 天然气、人工煤气、液化石油气
工作温度: -20℃≤t≤80℃
圆锥管螺纹符合ISO7标准
圆柱管螺纹符合ISO228标准

Technical Standard
Nominal Pressure: 1.6 MPa
Working Medium: Natural gas, Artificial gas, Liquefied petroleum gas
Working Temperature: -20℃≤t≤80℃
Taper Pipe Thread to ISO7
Parallel Pipe Thread to ISO228

密封件选用M111/日本大金材料
O型圈选用意大利NBR材料, 符合EN682标准

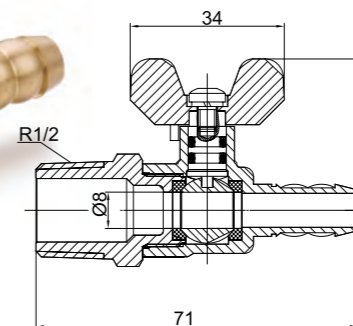


9287 黄铜内螺纹燃气直嘴 φ9.5
Gas Ball Valve With Nozzle (RQJ-PN0.15)

技术规范
公称压力: 0.015MPa
工作介质: 天然气、人工煤气、液化石油气
工作温度: -20℃≤t≤110℃
圆锥管螺纹符合ISO7标准
圆柱管螺纹符合ISO228标准

Technical Standard
Nominal Pressure: 0.015 MPa
Working Medium: Natural gas, Artificial gas, Liquefied petroleum gas
Working Temperature: -20℃≤t≤110℃
Taper Pipe Thread to ISO7
Parallel Pipe Thread to ISO228

密封件选用M111/日本大金材料
O型圈选用意大利NBR材料, 符合EN682标准



9288 黄铜外螺纹燃气直嘴 φ9.5
Gas Ball Valve MF (RQJ-PN0.15)

技术规范
公称压力: 0.015MPa
工作介质: 天然气、人工煤气、液化石油气
工作温度: -20℃≤t≤110℃
圆锥管螺纹符合ISO7标准
圆柱管螺纹符合ISO228标准

Technical Standard
Nominal Pressure: 0.015 MPa
Working Medium: Natural gas, Artificial gas, Liquefied petroleum gas
Working Temperature: -20℃≤t≤110℃
Taper Pipe Thread to ISO7
Parallel Pipe Thread to ISO228

密封件选用M111/日本大金材料
O型圈选用意大利NBR材料, 符合EN682标准

★防盗结构, 阀门关闭后需用专用工具方能开启。

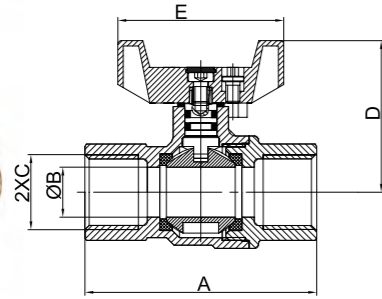
9246 黄铜内螺纹磁控防盗球阀
Lockable Gas Ball Valve FF (RQL-PN16)

技术规范
公称压力: 1.6MPa
工作介质: 天然气、人工煤气、液化石油气
工作温度: -20℃≤t≤80℃
圆锥管螺纹符合ISO7标准
圆柱管螺纹符合ISO228标准

Technical Standard
Nominal Pressure: 1.6 MPa
Working Medium: Natural gas, Artificial gas, Liquefied petroleum gas
Working Temperature: -20℃≤t≤80℃
Taper Pipe Thread to ISO7
Parallel Pipe Thread to ISO228

密封件选用M111/日本大金材料
O型圈选用意大利NBR材料, 符合EN682标准

DN	A	B	C	D	E
15	65	14	RP1/2	43.4	50
20	75	19	RP3/4	49.4	50
25	86	24	RP2	54.2	50



★非标式防拆结构，阀门关闭后需用专用工具方能开启。

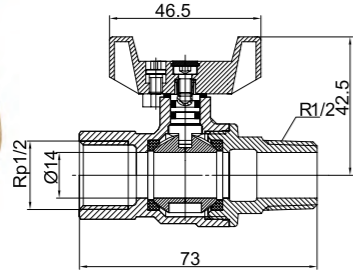
9245 黄铜内螺纹锁式球阀
Lockable Gas Ball Valve FF (RQL-PN16)

技术规范	Technical Standard
公称压力: 1.6MPa	Nominal Pressure: 1.6MPa
工作介质: 天然气、人工煤气、液化石油气	Working Medium: Natural gas, Artificial gas, Liquefied petroleum gas
工作温度: -20℃≤t≤110℃	Working Temperature: -20℃≤t≤110℃
圆锥管螺纹符合ISO7标准	Taper Pipe Thread to ISO7
圆柱管螺纹符合ISO228标准	Parallel Pipe Thread to ISO228

DN	A	B	C	D	E
15	65	14	RP1/2	42.5	46.5
20	75	19	RP3/4	46.5	46.5
25	86	24	RP1	65	113
32	105	30	RP1 1/4	76	113
40	106	38	RP1 1/2	86	155
50	130	49	RP2	95.5	155

密封件选用M111/日本大金材料
O型圈选用意大利NBR材料，符合EN682标准

★非标式防拆结构，阀门关闭后需用专用工具方能开启。

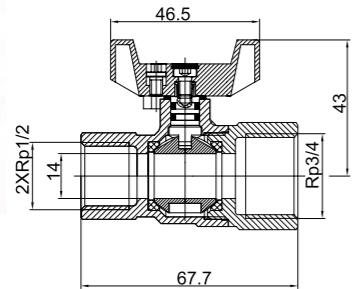


9245A 黄铜内外螺纹锁式球阀
Lockable Gas Ball Valve FM (RQL-PN16)

技术规范	Technical Standard
公称压力: 1.6MPa	Nominal Pressure: 1.6MPa
工作介质: 天然气、人工煤气、液化石油气	Working Medium: Natural gas, Artificial gas, Liquefied petroleum gas
工作温度: -20℃≤t≤110℃	Working Temperature: -20℃≤t≤110℃
圆锥管螺纹符合ISO7标准	Taper Pipe Thread to ISO7
圆柱管螺纹符合ISO228标准	Parallel Pipe Thread to ISO228

密封件选用M111/日本大金材料
O型圈选用意大利NBR材料，符合EN682标准

★非标式防拆结构，阀门关闭后需用专用工具方能开启。



9245B 黄铜内螺纹异径锁式球阀
Lockable Gas Ball Valve FF (RQL-PN16)

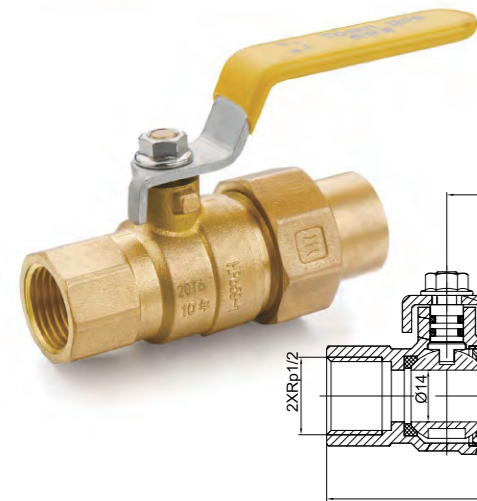
技术规范	Technical Standard
公称压力: 1.6MPa	Nominal Pressure: 1.6MPa
工作介质: 天然气、人工煤气、液化石油气	Working Medium: Natural gas, Artificial gas, Liquefied petroleum gas
工作温度: -20℃≤t≤110℃	Working Temperature: -20℃≤t≤110℃
圆锥管螺纹符合ISO7标准	Taper Pipe Thread to ISO7
圆柱管螺纹符合ISO228标准	Parallel Pipe Thread to ISO228

密封件选用M111/日本大金材料
O型圈选用意大利NBR材料，符合EN682标准

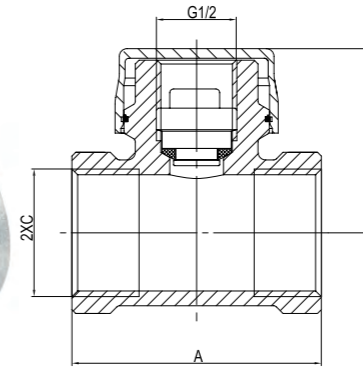
R30001 黄铜内螺纹活接球阀
Gas Ball Valve (RQH-PN16)

技术规范	Technical Standard
公称压力: 1.6MPa	Nominal Pressure: 1.6MPa
工作介质: 天然气、人工煤气、液化石油气	Working Medium: Natural gas, Artificial gas, Liquefied petroleum gas
工作温度: -20℃≤t≤110℃	Working Temperature: -20℃≤t≤110℃
圆柱管螺纹符合ISO228标准	Parallel Pipe Thread to ISO228

密封件选用M111/日本大金材料
O型圈选用意大利NBR材料，符合EN682标准



燃气立管专用系列
GAS BALL VALVES FOR GAS PIPES

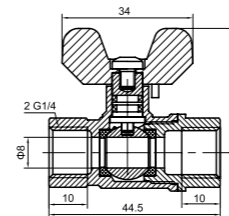


TF-300 防拆异径三通
Anti-theft Reducing Tee

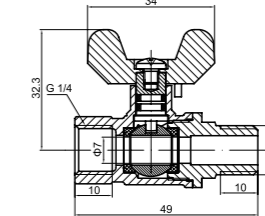
技术规范	Technical Standard
公称压力: 0.8MPa	Nominal Pressure: 0.8 MPa
工作介质: 天然气、人工煤气、液化石油气	Working Medium: Natural gas, Artificial gas, Liquefied petroleum gas
工作温度: -20℃≤t≤110℃	Working Temperature: -20℃≤t≤110℃
圆锥管螺纹符合ISO7标准	Taper Pipe Thread to ISO7
圆柱管螺纹符合ISO228标准	Parallel Pipe Thread to ISO228

DN	A	B	C
25	65	48	G1xG1
32	70	53	G1 1/4xG1 1/4
40	87	55	G1 1/2xG1 1/2
50	100	68	G2xG2

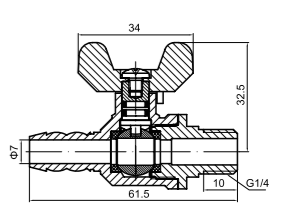
燃气铝塑专用管件
FITTINGS FOR GAS AL-PLASTIC PIPES



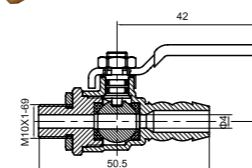
9204
黄铜内螺纹球阀



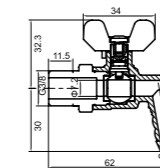
9212
黄铜内外螺纹球阀



9213
黄铜内外螺纹球阀



9214
黄铜外丝直嘴球阀



9210
黄铜外丝弯嘴球阀



卓越精工，自然出众!

燃气表接头系列
COUPLINGS FOR GAS METERS



T-219
黄铜燃气表接头



T-200
黄铜弯管燃气表接头



TC-900
黄铜测压燃气表接头



4602
黄铜燃气表接头



T120A
防盗燃气表接头



TF-901
黄铜防盗燃气表接头



T-217
防盗燃气表接头



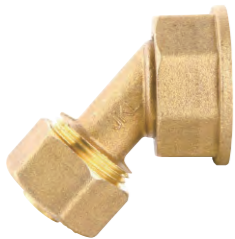
T213
碳钢燃气表接头



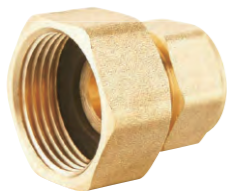
T214
碳钢防盗燃气表接头



T216
黄铜弯管接头



T206
黄铜铝塑管45°燃气表接头



T210
内丝直接表接头

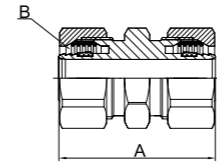
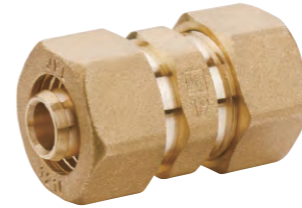


T210
黄铜铝塑管90°燃气表接头



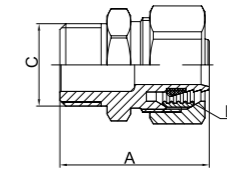
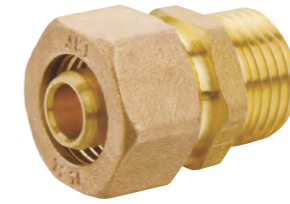
T119
燃气格林接头

燃气铝塑专用管件
FITTINGS FOR GAS AL-PLASTIC PIPES



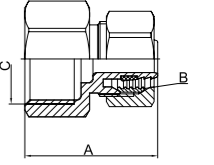
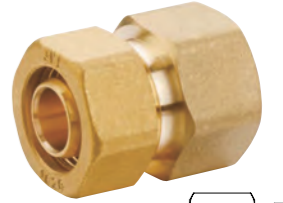
Size	A	B
S1216x1216	47	1216
S1418x1418	50	1418
S1620x1620	50	1620

F100 黄铜铝塑复合管接头
等径直通管接头



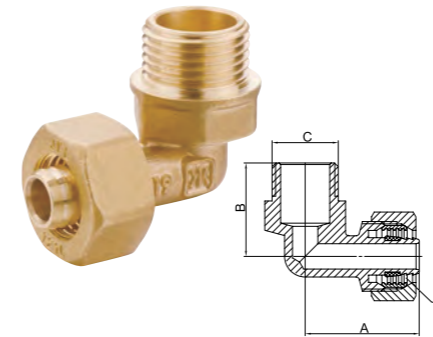
Size	A	B	C
S1216x1/2M	37	1216	1/2
S1418x1/2M	38	1418	1/2

F100 黄铜铝塑复合管接头
外牙直通管接头



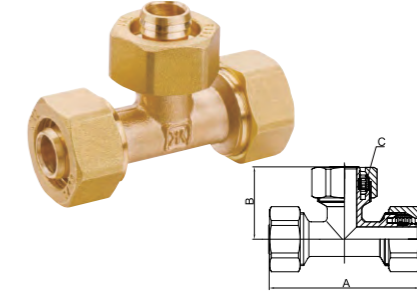
Size	A	B	C
S1216x1/2F	36	1216	1/2
S1216x3/4F	39	1216	1/2
S1418x1/2F	38	1418	1/2
S1620x3/4F	39	1620	3/4

F100 黄铜铝塑复合管接头
内牙直通管接头



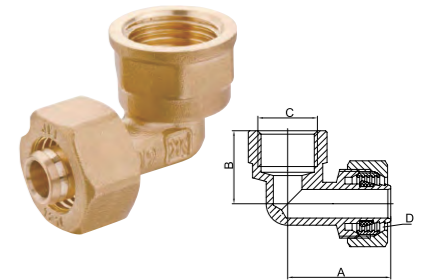
Size	A	B	C	D
L1216x1/2M	36	29.5	1/2	1216

F100 黄铜铝塑复合管接头
外牙弯头



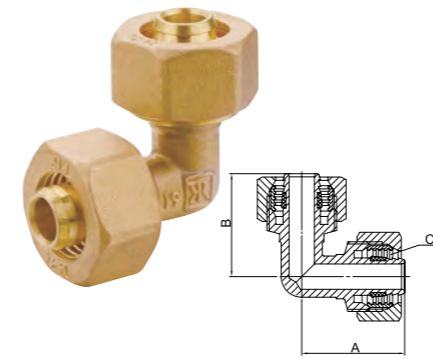
Size	A	B	C
T1216x1216x1216	68	33	1216
T1418x1418x1418	70	34	1418
T1620x1620x1620	74	35.5	1620

F100 黄铜铝塑复合管接头
等径三通管接头



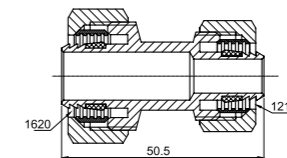
Size	A	B	C	D
L1216x1/2F	36	24.5	1/2	1216
L1418x1/2F	36	25.5	1/2	1418
L1620x1/2F	36	26	1/2	1620

F100 黄铜铝塑复合管接头
内牙弯头



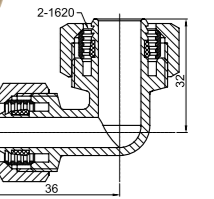
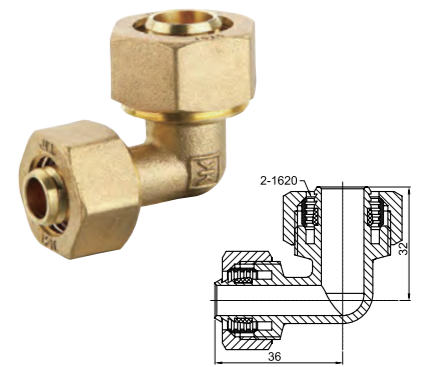
Size	A	B	C
L1216x1216	32.5	32.5	1216

F100
等径弯头



S1216x1620

T-210
异径直接



L1216x1620

T-210
异径弯头